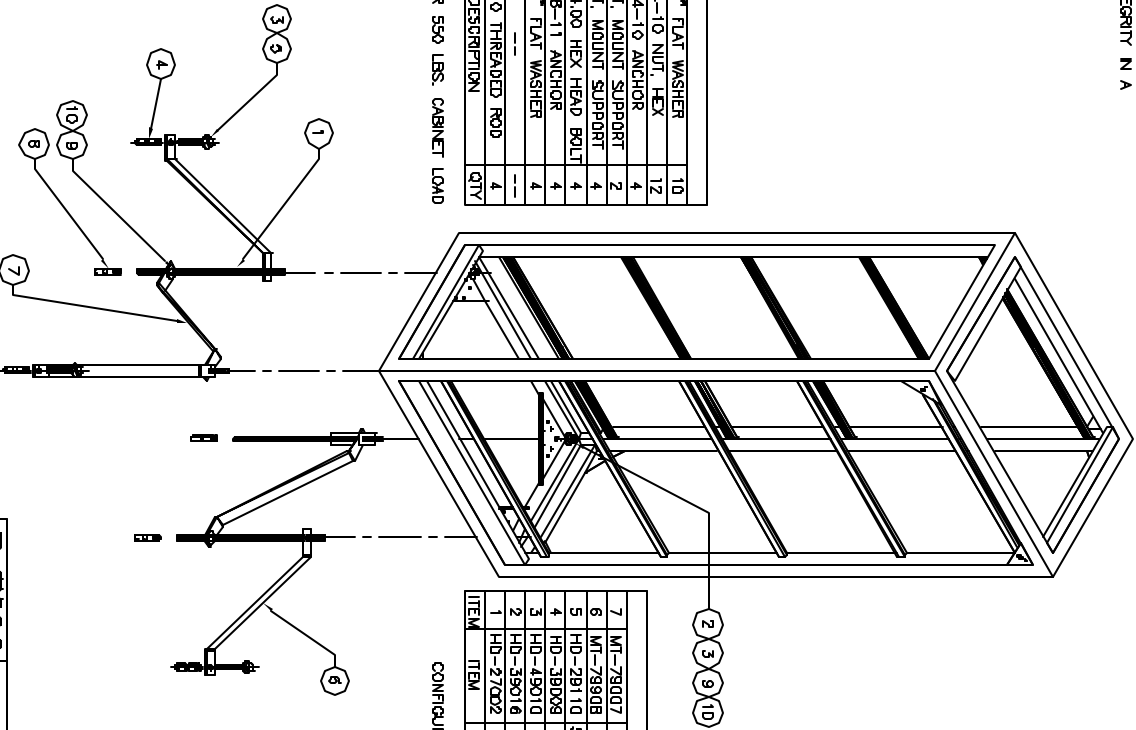


- NOTES:
 1. RAISED FLOOR APPLICATION.
 2. AFSB18 CAN ALSO BE USED WITH THE FOLLOWING SERIES OF DAMAC CABINETS TO ENHANCE SEISMIC INTEGRITY IN A RAISED FLOOR SITUATION:
 AXIS CABINETS
 DELUXE CABINETS
 EXTREME CABINETS

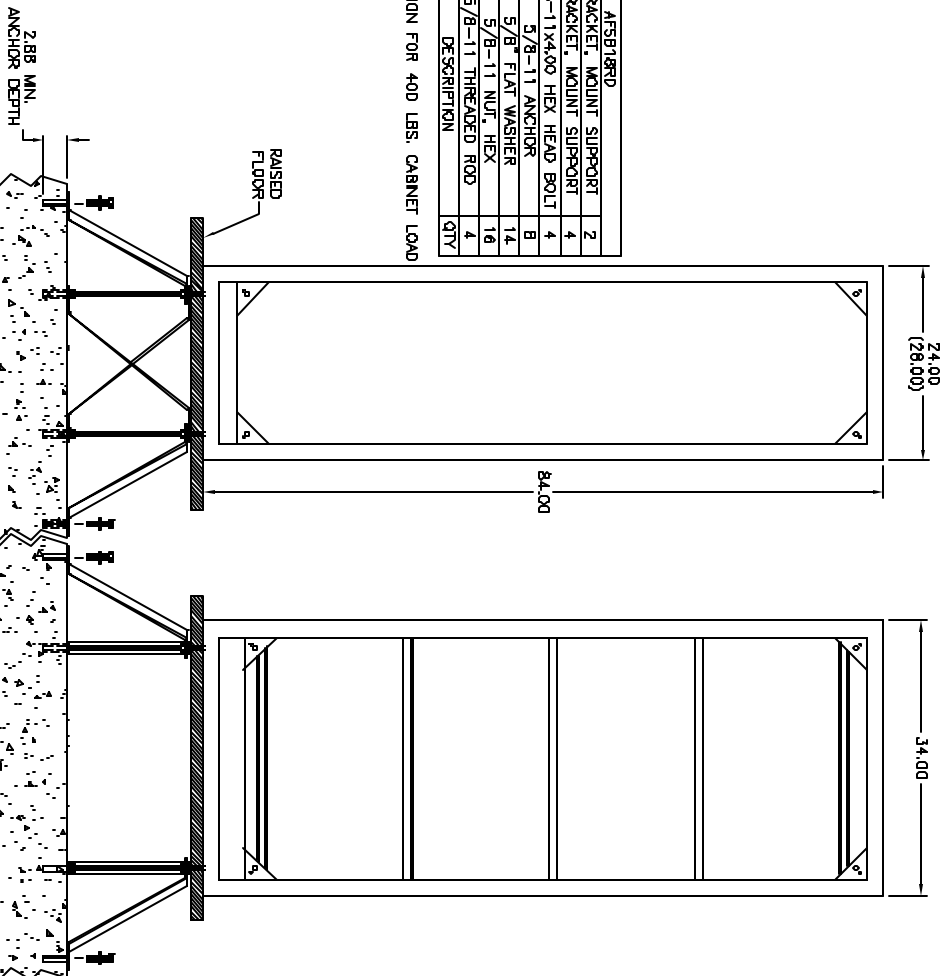
ITEM	PART NO.	DESCRIPTION	QTY
10	HD-49015	3/4" FLAT WASHER	10
9	HD-39015	3/4-10 NUT, HEX	12
8	HD-39014	3/4-10 ANCHOR	4
7	MT-7907	BRACKET, MOUNT SUPPORT	2
6	MT-7908	BRACKET, MOUNT SUPPORT	4
5	HD-2911D	5/8-11X4.00 HEX HEAD BOLT	4
4	HD-39009	5/8-11 ANCHOR	4
3	HD-49010	5/8" FLAT WASHER	4
2	HD-27004	3/4-10 THREADED ROD	4

CONFIGURATION FOR 550 LBS. CABINET LOAD



ITEM	PART NO.	DESCRIPTION	QTY
7	MT-79007	BRACKET, MOUNT SUPPORT	2
6	MT-79008	BRACKET, MOUNT SUPPORT	4
5	HD-2911D	5/8-11X4.00 HEX HEAD BOLT	4
4	HD-39009	5/8-11 ANCHOR	4
3	HD-49010	5/8" FLAT WASHER	14
2	HD-39016	5/8-11 NUT, HEX	16
1	HD-27002	5/8-11 THREADED ROD	4

CONFIGURATION FOR 400 LBS. CABINET LOAD



DAMAC PRODUCTS, INC. 10000 W. 10TH AVE. DENVER, CO 80231
 TEL: 303.751.1000 FAX: 303.751.1001
 WWW.DAMAC.COM

DAMAC AFSB18
 RAISED FLOOR SEISMIC BRACKET ASSY

PART NO. AFSB18
 REV. 02/15/2001

QUANTITY 1 OF 2

SCALE N/A

MATERIAL FINISH: BLACK POLYURETHANE UNLESS OTHERWISE SPECIFIED