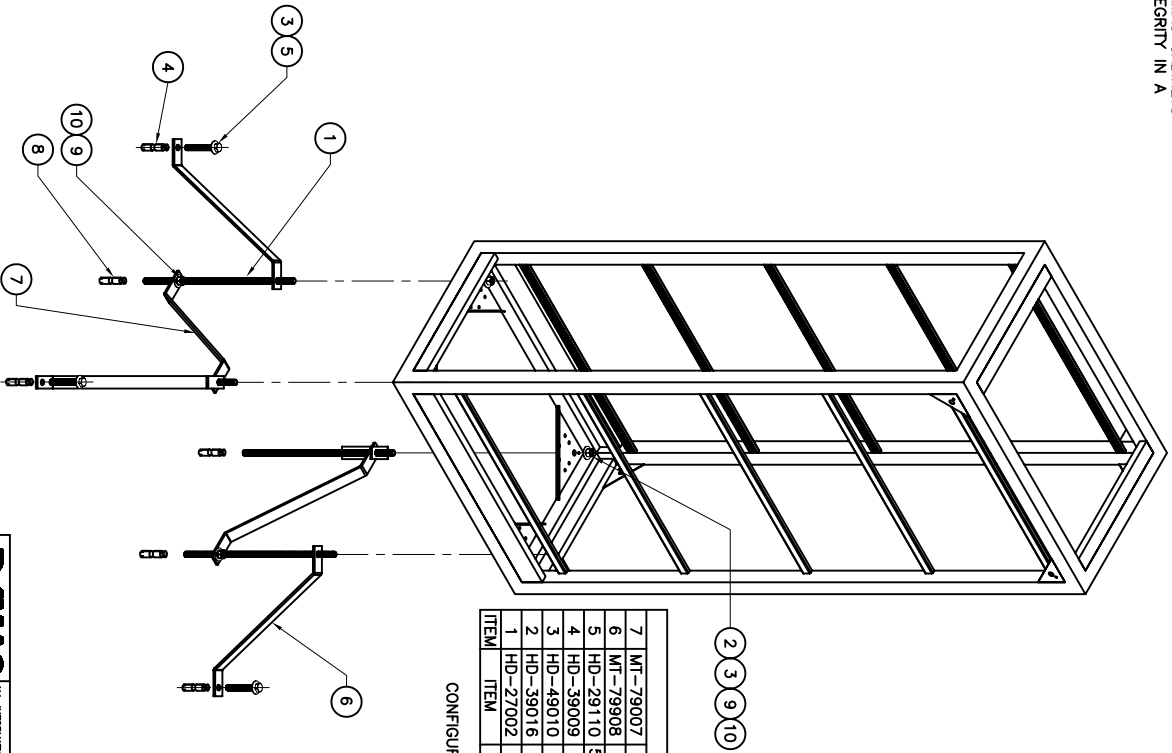
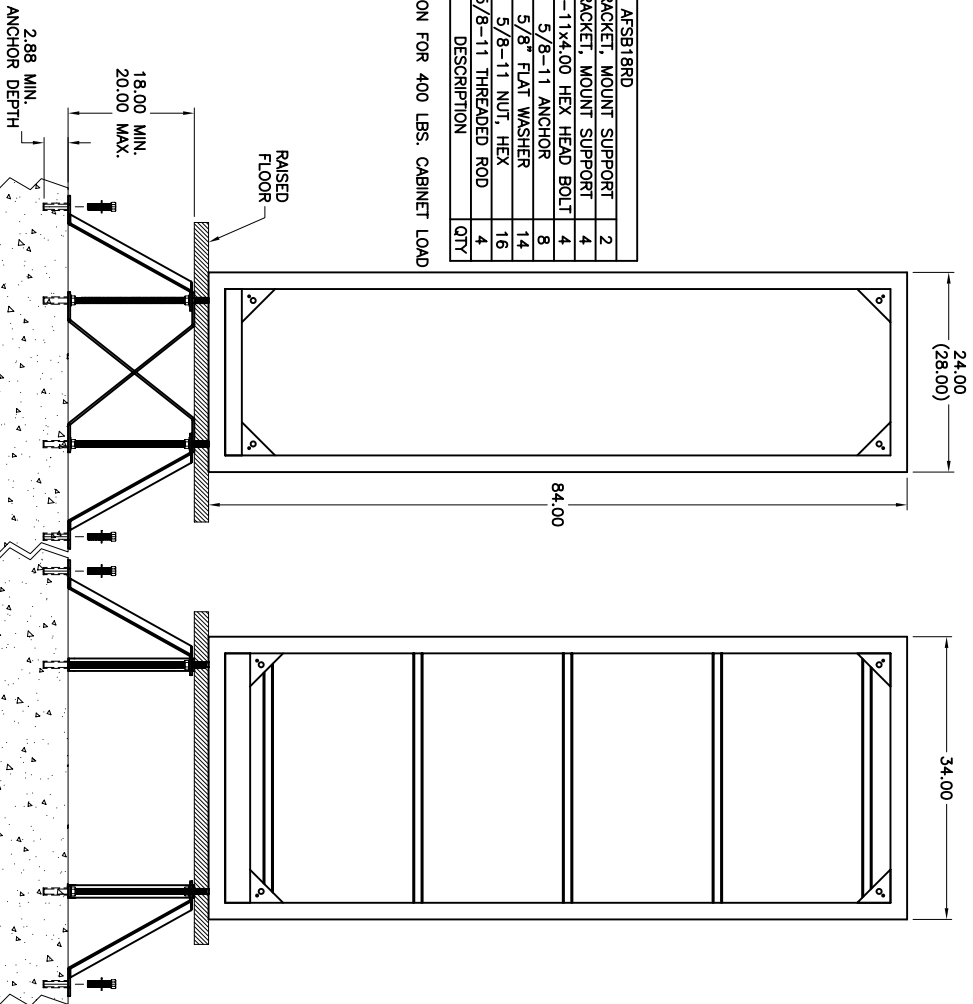


- NOTES:
 1. RAISED FLOOR APPLICATION.
 2. AFSB18R CAN ALSO BE USED WITH THE FOLLOWING SERIES OF DAMAC CABINETS TO ENHANCE SEISMIC INTEGRITY IN A RAISED FLOOR SITUATION:
 AXIS CABINETS
 DELUXE CABINETS
 EXTREME CABINETS



ITEM	DESCRIPTION	QTY
7	MT-79007 BRACKET, MOUNT SUPPORT	2
6	MT-79908 BRACKET, MOUNT SUPPORT	4
5	HD-29110 5/8-11x4.00 HEX HEAD BOLT	4
4	HD-39009 5/8-11 ANCHOR	8
3	HD-49010 5/8-11 FLAT WASHER	14
2	HD-39016 5/8-11 NUT, HEX	16
1	HD-27002 5/8-11 THREADED ROD	4

CONFIGURATION FOR 400 LBS. CABINET LOAD



DAMAC PRODUCTS, INC. LA VERNE, CA 91705
 714.942.1100 FAX: 714.942.1101
 WWW.DAMAC.COM
 ALL INFORMATION AND REPRESENTATION OF ANY FORM OR MANNER IS SUBJECT TO THE TERMS AND CONDITIONS OF THE DAMAC WARRANTY AGREEMENT W/ DAMAC.
 FIRST LIST HAVE FLOOR RISING ASSEMBLY W/ DAMAC.
 1. AFSB18RD 2. AFSB18RD 3. AFSB18RD 4. AFSB18RD 5. AFSB18RD 6. AFSB18RD 7. AFSB18RD 8. AFSB18RD 9. AFSB18RD 10. AFSB18RD

DAMAC AFSB18RD
 RAISED FLOOR SEISMIC BRACKET ASSY

PART NO. AFSB18RD
 REV. BR. 03.15.2001

DESIGNED BY: RG
 SHEET 1 OF 2

SCALE: N/A
 FINISH: BLACK (STD)
 MATERIAL: NA (POUNDERCOAT)
 UNLESS OTHERWISE SPECIFIED