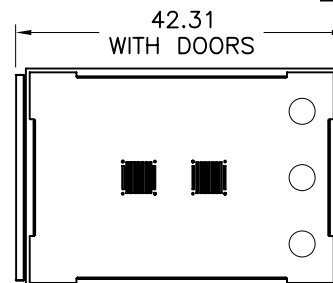
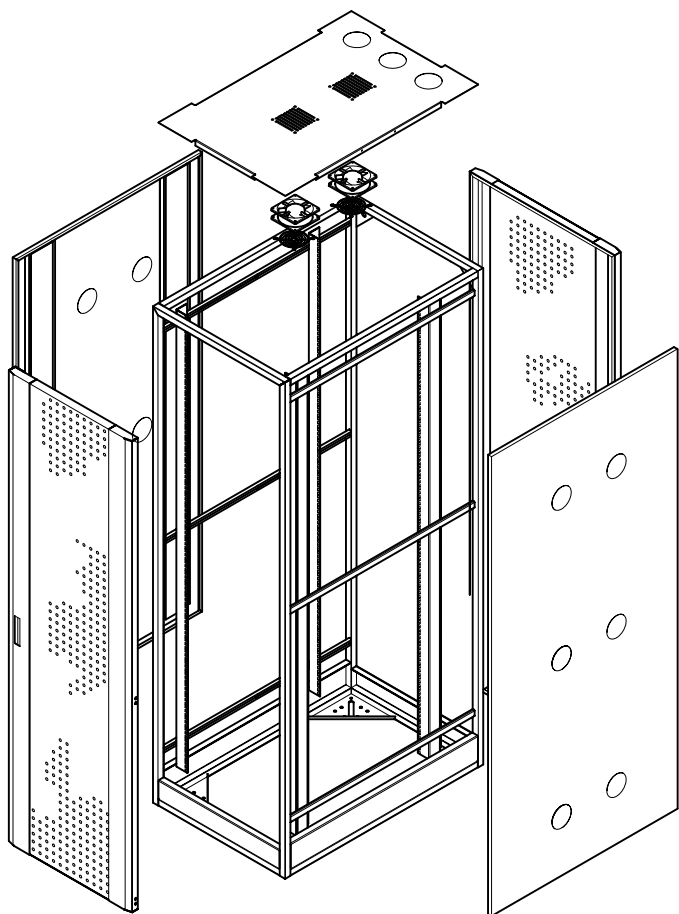
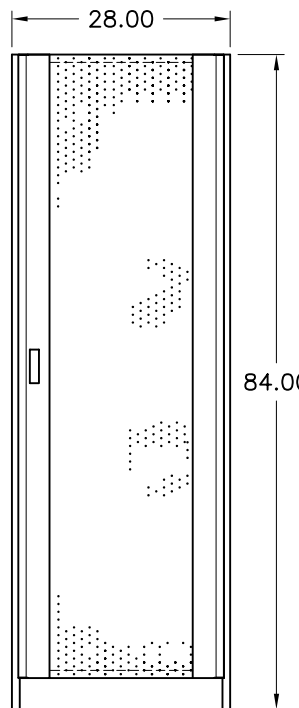


AXIS SERIES CABINET CC084TPB1SBSF

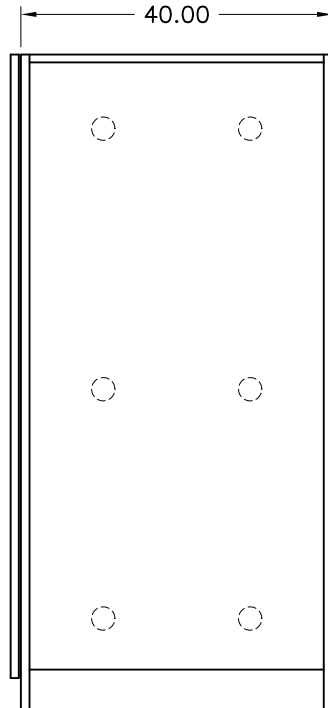
REVISIONS			
REV	ECO	DATE	DESCRIPTION
--	--	--	RELEASED TO PRODUCTION



TOP VIEW



FRONT VIEW



SIDE VIEW

DIMENSIONS **FRAME AXIS**
 1x1 TUBING (16GA)
 HEIGHT 84.00"
 WIDTH 28.00"
 DEPTH 40.00"

RAIL TYPE **L-TYPE RAILS**
 CAGE-NUT
 19"/23 REVERSIBLE
 RAILS

DOORS **FRONT DOOR**
 MESH, BEVELED
 HEIGHT 80.00"
 WIDTH 26.38"
 DEPTH 1.15"

REAR DOOR
 MESH, BEVELED
 HEIGHT 80.00"
 WIDTH 26.38"
 DEPTH 1.15"

SIDES **SOLID, RECESSED**
 HEIGHT 77.85"
 WIDTH 37.85"
 DEPTH 0.50"

TOP **2-FAN, FLUSH**
 W/CABLE ACCESS
 ON REAR



ALL INFORMATION ARE PROPRIETARY DATA OF DAMAC PRODUCTS INC. ANY REPRODUCTION/USE IN ANY FORM MUST HAVE PRIOR WRITING AGREEMENT W/ DAMAC.
 TOLERANCE .00X±.010 .01X±.030 .1X±.080 (DEC)±.5
 ALL DIM. ARE IN INCHES UNLESS OTHERWISE SPECIFIED

FILE: CABINET, AXIS
 84.00 x 28.00 x 40.00

PART NO.
 CC084TPB1SBSF
 DRAWN BY: AP DATE: 06.05.2006

CHECKED BY: CR
 SCALE: N/A
 SHEET: 1 OF 1

MATERIAL: N/A
 FINISH: POWDER-COATED
 MAX BEND R=.030, RELIEF=.060 A/R.
 UNLESS OTHERWISE SPECIFIED