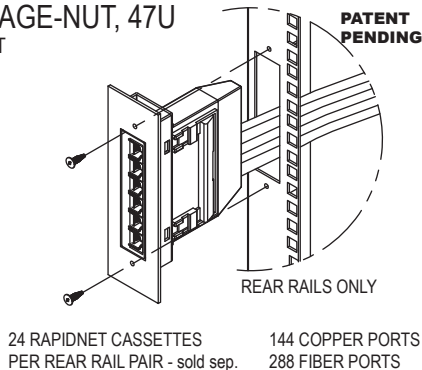
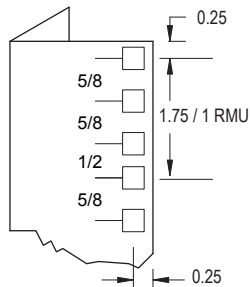


**RapidNetRail Cabinet Solution: 84"H X 24"W X 48"D**  
**PART# CRN84ESB1BSV-3**

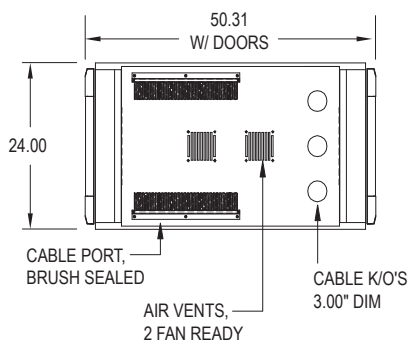
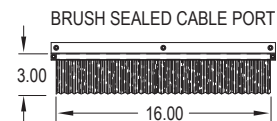
**RAPIDNETRAIL™ M6 CAGE-NUT, 47U**  
 (2) PAIR, 19" EIA-310-D COMPLIANT

**PATENT PENDING**



**TOP VIEW**

VENTED, 2 FAN READY  
 FLUSH MNT, REMOVABLE  
 OPT. FAN KIT: ATFK2

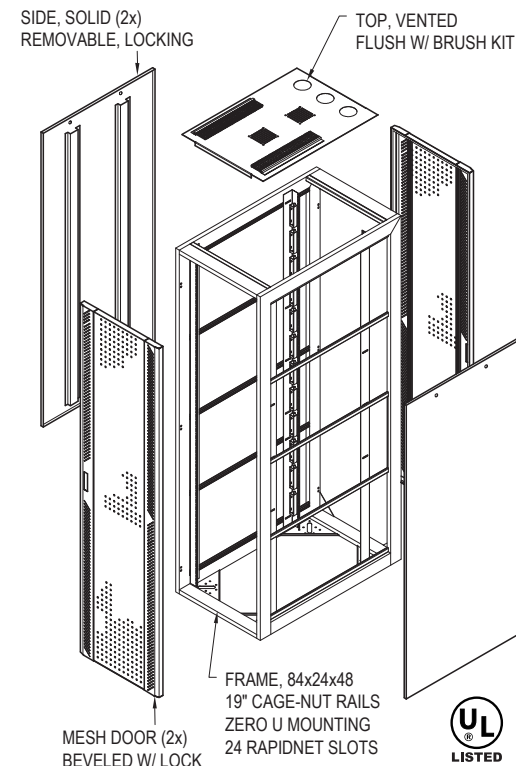
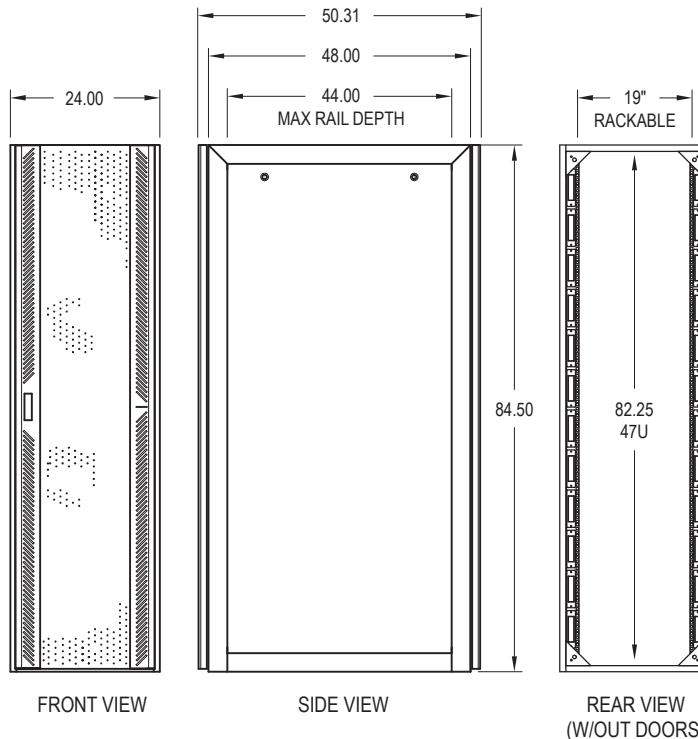
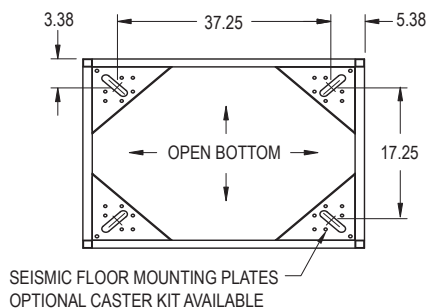


**BOTTOM VIEW**

FLOOR MNT DIMS: 17.25 x 37.25  
 (4) FLOOR LEVELERS INCLD.



OPTIONS:  
 CASTER KIT: PART# AFCYO  
 HD FLR LEVELERS: HD92203



**DIMENSIONS**

EXTREME FRAME  
 1 x 3 TUBULAR STEEL  
 HEIGHT: 84.50  
 WIDTH: 24.00  
 DEPTH: 48.00/50.31

**WT CAPACITY**

3000 LBS. STATIC CAP.  
 2000 LBS. ROLLING CAP.

**RATING**

SEISMIC ZONE 4

**MOUNTING RAIL**

47 RMU, L-RACK ANGLES  
 M6 CAGE-NUT, SQ HOLE  
 EIA SPACING, 5/8 x 5/8 x 1/2  
 19" RACKABLE  
 ADJUSTABLE, MAX 44.00 DEPTH  
 R. RAIL PAIR: RAPIDNET READY  
 12 CASSETTES/RAIL, 24/PAIR

**SIDE PANEL, PAIR**

SOLID, RECESSED, LOCKING  
 ZERO CLEARANCE COUPLING  
 DIMS: 78.35H x 41.85W x 0.50D

**DOORS, PAIR**

HI-FLOW MESH, <80% AIR FLOW  
 REINFORCED BEVELED DESIGN  
 PREMIUM LOCK, KEYED ALIKE  
 REMOVABLE, 180 DEGREE SWING  
 SECURITY HINGE: FRONT-R, REAR-R  
 DIMS: 80.00H x 22.38W x 0.15D

**TOP PANEL**

VENTED, FLUSH MNT., REMOVABLE  
 FAN KIT READY  
 BRUSH SEALED CABLE PORTS  
 CABLE KNOCK-OUTS

**COLOR**

BLACK, TEXTURED  
 EPOXY POWDER-COAT

**CLASSIFICATION**

SEISMIC ZONE 4  
 UL LISTED  
 19" EIA-310-D COMPLIANT  
 ROHS COMPLAINT

All information has been expressed with the highest degree of accuracy, however DAMAC does not accept liability in the event there are printed errors or omissions. All DAMAC trademarks are property of Damac Products, Inc. Other trademarks are property of their respective owners. Printed information and specifications are subject to change without notice.  
 ©2008 DAMAC Products, Inc. All Rights Reserved



14489 INDUSTRY CIRCLE  
 LA MIRADA, CA 90638  
 TEL: 888.949.2289  
 WWW.DAMAC.COM

ALL INFORMATION ARE PROPRIETARY DATA OF DAMAC PRODUCTS INC. ANY REPRODUCTION/USE IN ANY FORM MUST HAVE PRIOR WRITTEN AGREEMENT W/ DAMAC.  
 TOLERANCE: .XXX±0.10 .XX±0.030 .X±0.060 (DEG)±.5  
 ALL DIM. ARE IN INCHES UNLESS OTHERWISE SPECIFIED

TITLE: CABINET, RAPIDNETRAIL™  
 84.00 x 24.00 x 48.00  
 19" RACKABLE

PART NO. CRN84ESB1BSV-3  
 ENG: AP 06.02.2008

CHECKED BY: CR  
 SHEET: 1/1

MATERIAL: N/A  
 FINISH: EPOXY POWDER-COAT, BLACK  
 MAX BEND R=.030, RELIEF=.060 AIR.  
 UNLESS OTHERWISE SPECIFIED

