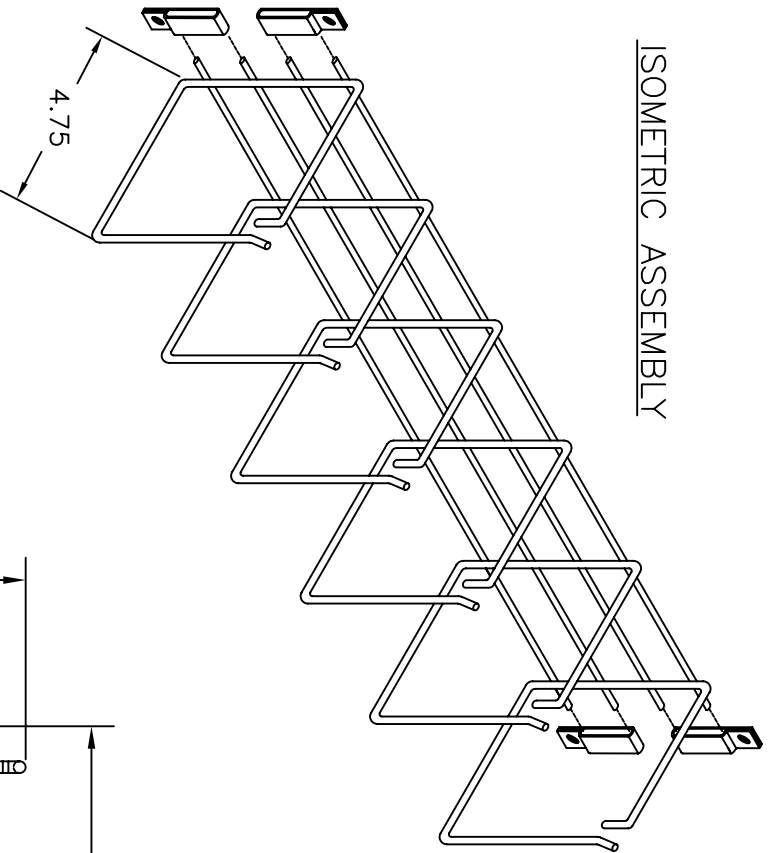
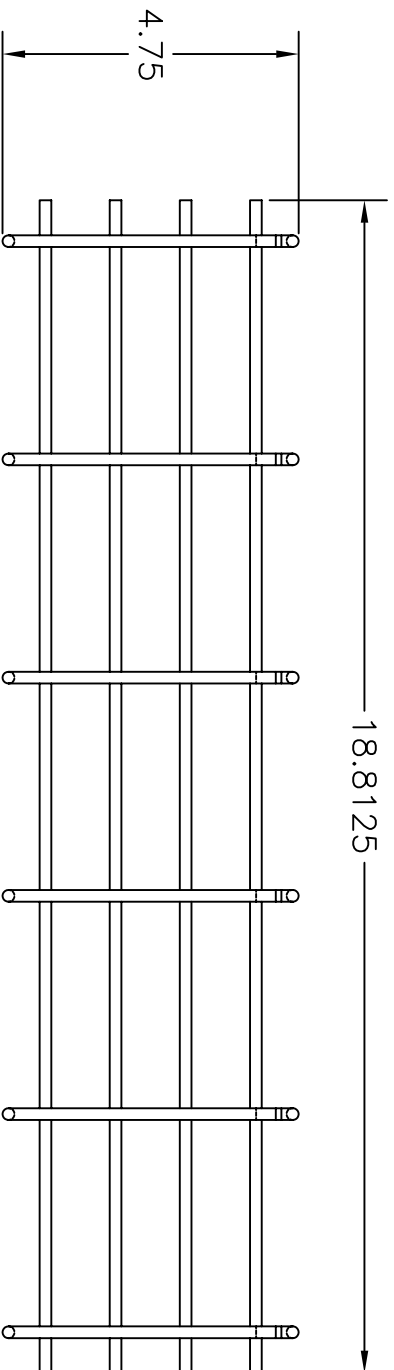


REVISIONS				DESCRIPTION
REV	ECD	DATE		
--	--	--		RELEASED TO PRODUCTION

ISOMETRIC ASSEMBLY



FRONT VIEW ASSEMBLY



<b>DAMAC</b> PRODUCTS, INC. LA BUREAU, CA 90008	ALL DIMENSIONS ARE PROPORTIONAL TO SIZE OF PART FORM DIMENSIONS MUST HAVE TOLERANCE SPECIFIED UNLESS OTHERWISE SPECIFIED TOLERANCE: XX.XX ± 0.10 XX.XX ± 0.20 XX.XX ± 0.50 XX.XX ± 1.00	PART NO. <b>F533-003-8</b>	ORDERED BY: CR	SCALE: N/A	MATERIAL: N/A FINISH: BLACK ZINC MAX BEND R=1.000 RELIEF=0.060 A/R UNLESS OTHERWISE SPECIFIED
	CABLECONTROL, 19" RACKABLE 19.00 x 4.75 x 4.75	DRAWN BY: AP	DATE: 10.10.2006	SHEET: 1 OF 1	REV: --