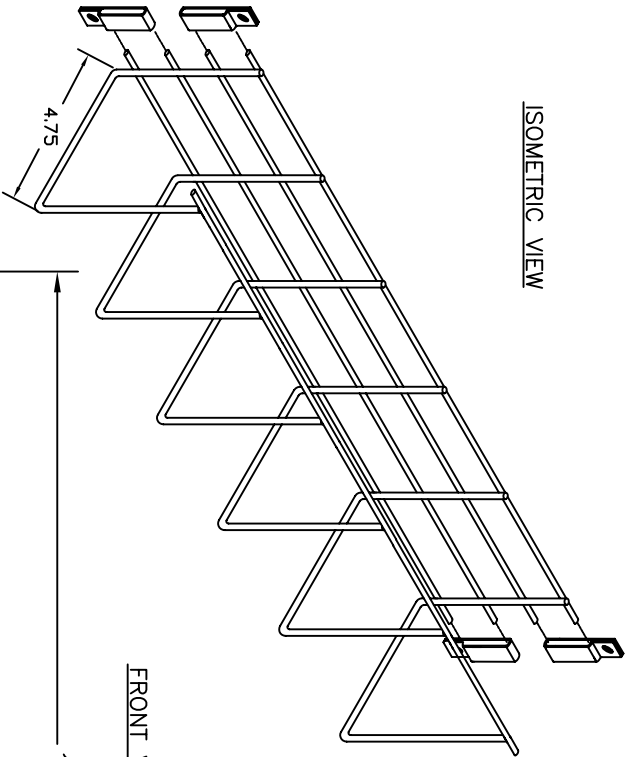
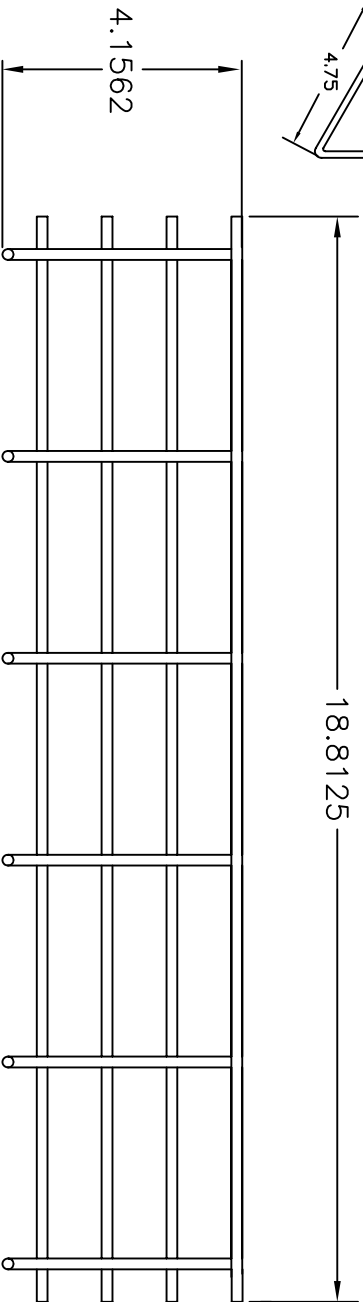


REVISIONS			
REV	ECD	DATE	DESCRIPTION
--	--	--	RELEASED TO PRODUCTION

ISOMETRIC VIEW



FRONT VIEW ASSEMBLY



DAMAC PRODUCTS LA BUREAU, CA 90038	INC. 10000 WILSON AVE. FORTMIRAGE, CA 94504 TEL: 925.438.0110 FAX: 925.438.0100 MUST HAVE PRIOR WRITING AGREEMENT W/ DAMAC.	PART NO. FC19-8B	ORDERED BY: CR	SCALE: N/A	MATERIAL: N/A FINISH: ZINC BLACK MAX BEND R=1.000 RELIEF=.080 A/R. UNLESS OTHERWISE SPECIFIED
		19" R CABLE TROUGH, 19" R 19.00 x 4.75 x 4.16	DRAWN BY: AP	DATE: 10.10.2006	