

EXTREME SERIES FRAME FE78EQ-3 W/CAGE-NUT RAILS

DIMENSIONS

FRAME EXTREME SERVER/NETWORKING

FULLY WELDED TUBULAR STEEL CHASSIS

1x3 TUBING (16GA)

GUSSETS FOR FLOOR AND REAR BRACING

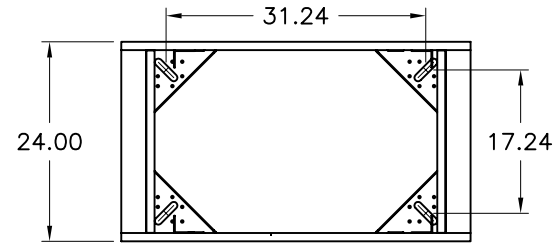
(19" RACKABLE PER E.I.A. STD.)

FOUR POINT ADJUSTABLE LEVELLING

HEIGHT 77.50"

WIDTH 24.00"

DEPTH 42.00"



TOP VIEW

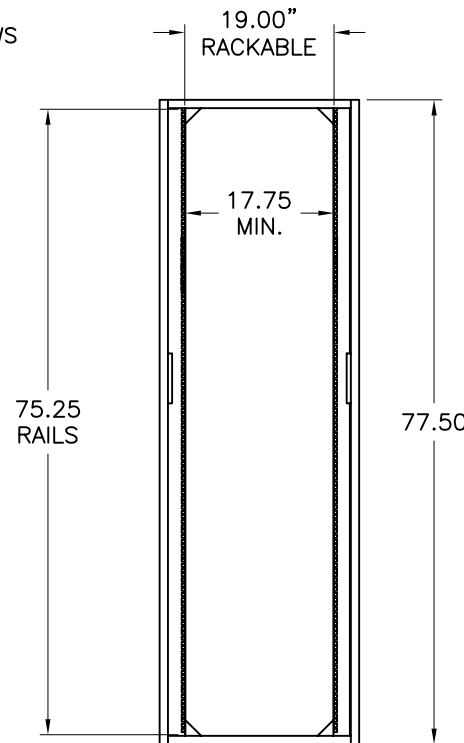
RAIL TYPE

L-TYPE RAILS

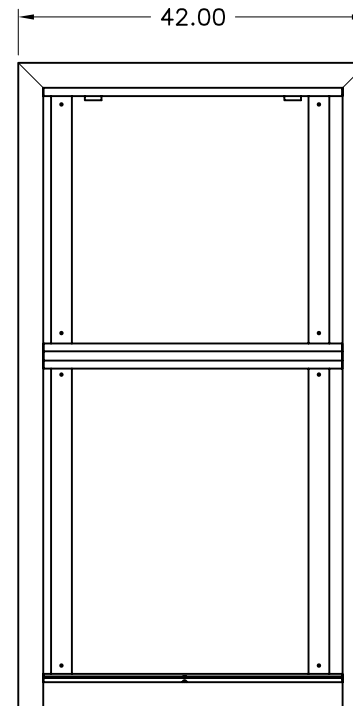
CAGE-NUT, M6 SCREWS

FULLY ADJUSTABLE

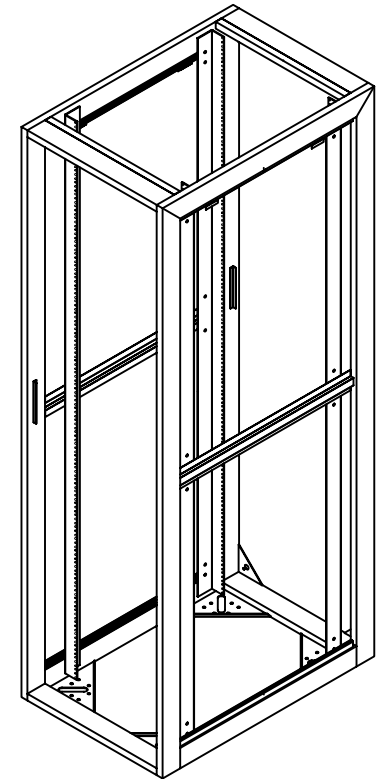
43U



FRONT VIEW



SIDE VIEW



ALL INFORMATION ARE PROPRIETARY DATA OF DAMAC PRODUCTS INC. ANY REPRODUCTION/USE IN ANY FORM MUST HAVE PRIOR WRITING AGREEMENT W/ DAMAC.
TOLERANCE .000±.010 .005±.030 .030±.080 (DEC)±.5
ALL DIM. ARE IN INCHES UNLESS OTHERWISE SPECIFIED

FRAME, EXTREME
77.50 x 24.00 x 42.00
W/CAGE-NUT RAILS

PART NO.
FE78EQ-3
DRAWN BY: AP DATE: 07.17.2006

CHECKED BY: CR
SCALE: N/A
SHEET: 1 OF 1

MATERIAL: N/A
FINISH: BLACK POWDER-COATED
MAX BEND R=.030, RELIEF=.060 A/R.
UNLESS OTHERWISE SPECIFIED