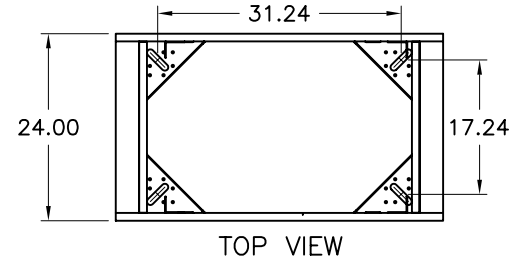


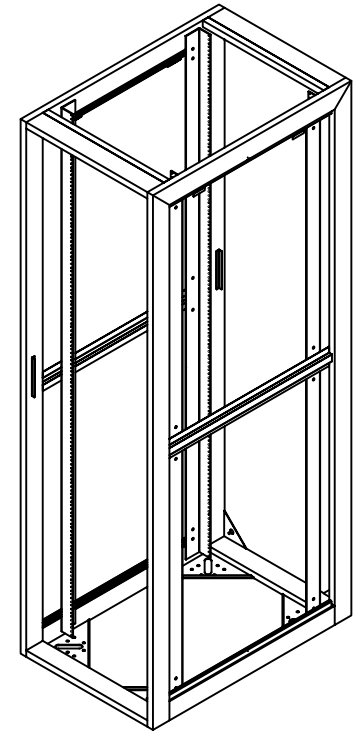
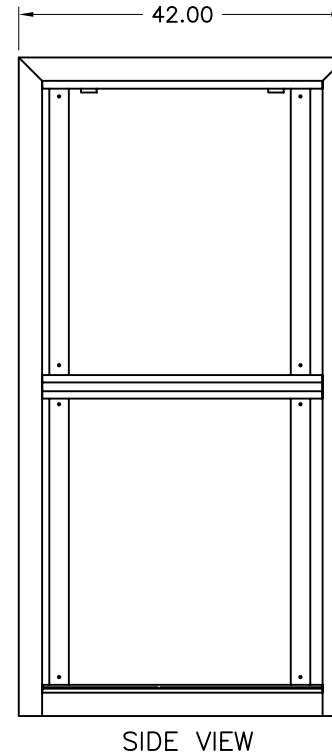
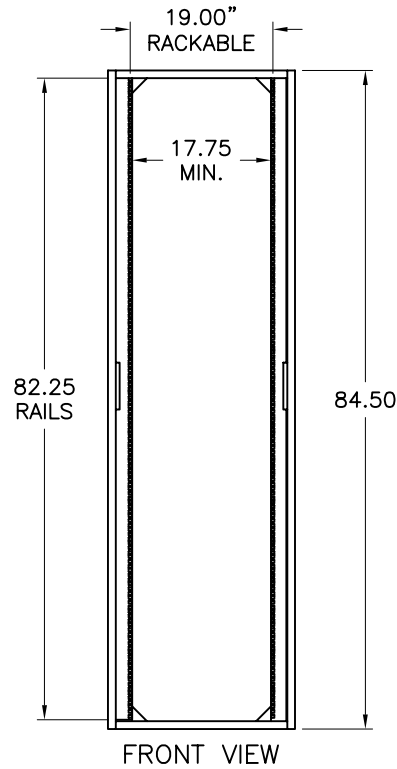
# EXTREME SERIES FRAME FE84EQ-3 W/CAGE-NUT RAILS

REVISIONS			
REV	ECO	DATE	DESCRIPTION
--	--	--	RELEASED TO PRODUCTION

**DIMENSIONS** **FRAME EXTREME SERVER/NETWORKING**  
 FULLY WELDED TUBULAR STEEL CHASSIS  
 1x3 TUBING (16GA)  
 GUSSETS FOR FLOOR AND REAR BRACING  
 (19" RACKABLE PER E.I.A. STD.)  
 FOUR POINT ADJUSTABLE LEVELLING  
 HEIGHT 84.50"  
 WIDTH 24.00"  
 DEPTH 42.00"



**RAIL TYPE** **L-TYPE RAILS**  
 CAGE-NUT, M6 SCREWS  
 19" RACKABLE  
 ADJUSTABLE  
 47U



ALL INFORMATION ARE PROPRIETARY DATA OF DAMAC PRODUCTS INC. ANY REPRODUCTION/USE IN ANY FORM MUST HAVE PRIOR WRITING AGREEMENT W/ DAMAC.  
 TOLERANCE .000±.010 .001±.030 .002±.080 (DEG)±.5  
 ALL DIM. ARE IN INCHES UNLESS OTHERWISE SPECIFIED

FILE: **FRAME, EXTREME**  
**84.50 x 24.00 x 42.00**  
**W/CAGE-NUT RAILS**

PART NO. **FE84EQ-3**  
 DRAWN BY: AP DATE: 07.19.2006

CHECKED BY: CR  
 SCALE: N/A  
 SHEET: 1 OF 1

MATERIAL: N/A  
 FINISH: BLACK POWDER-COATED  
 MAX BEND R=.030, RELIEF=.060 A/R.  
 UNLESS OTHERWISE SPECIFIED