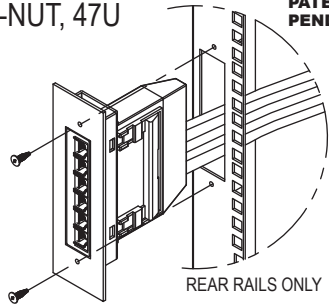
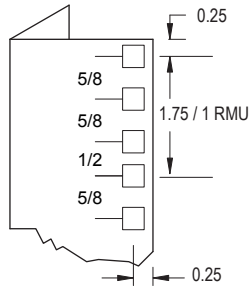


RapidNetRail Cabinet Solution: 84"H X 24"W X 40"D
PART# FRN84EP-3HTR

RAPIDNETRAIL™ M6 CAGE-NUT, 47U
(2) PAIR, 19" EIA-310-D COMPLIANT

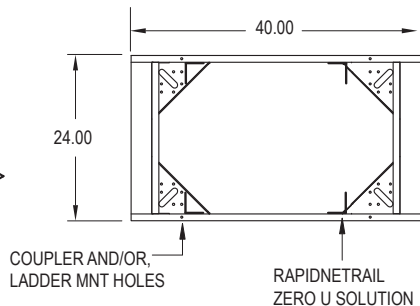
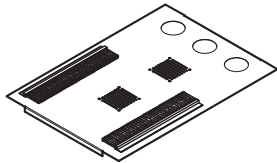
PATENT PENDING



144 COPPER PORTS
288 FIBER PORTS

TOP VIEW

OPTIONAL TOP PANEL
PART# TE2436V-3HTR

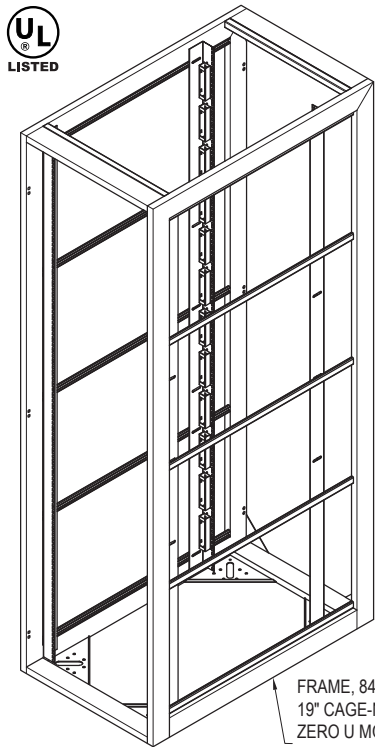
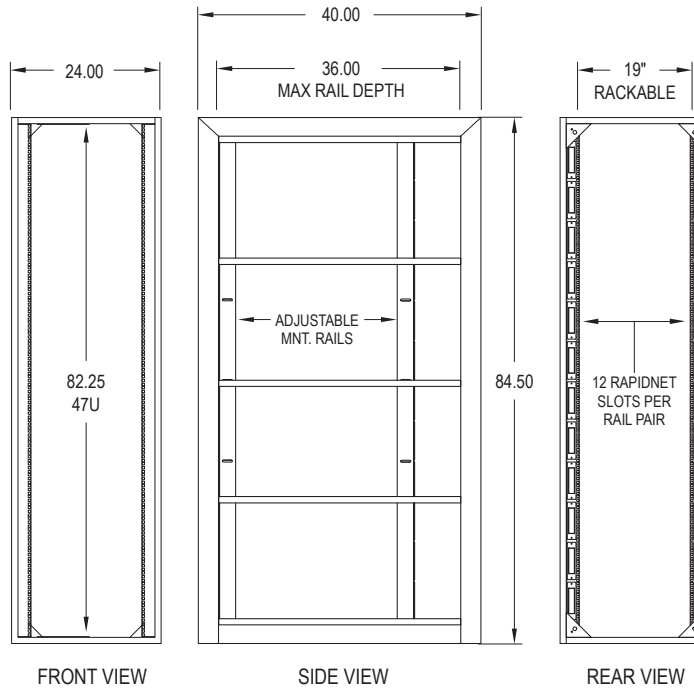
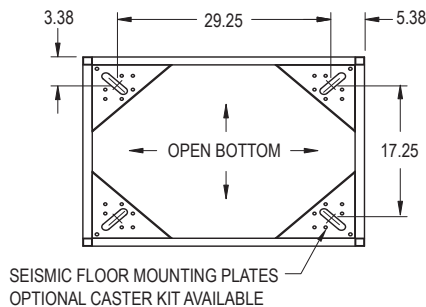


BOTTOM VIEW

FLOOR MNT DIMS: 17.25 x 25.25
(4) FLOOR LEVELERS INCLD.



OPTIONS:
CASTER KIT: PART# AFCYO
HD FLR LEVELERS: HD92203



DIMENSIONS

EXTREME FRAME
1 x 3 TUBULAR STEEL
HEIGHT: 84.50
WIDTH: 24.00
DEPTH: 40.00

WT CAPACITY

3000 LBS. STATIC CAP.
2000 LBS. ROLLING CAP.

RATING

SEISMIC ZONE 4

MOUNTING RAIL

47 RMU, L-RACK ANGLES
M6 CAGE-NUT, SQ HOLE
EIA SPACING, 5/8 x 5/8 x 1/2
19" RACKABLE
ADJUSTABLE, MAX 36.00 DEPTH
R. RAIL PAIR: RAPIDNET READY
12 CASSETTES/RAIL, 24/PAIR

SIDE PANEL, NONE

OPTIONAL SOLID SIDE PANEL (1x)
PART# SE8440S-3

DOORS, NONE

OPTIONAL DOOR W/ LOCK
MESH: PART# DE8424B-3
V.PLEX: PART# DE8424V-3

TOP, NONE

OPTIONAL VENTED TOP PANEL)
PART# TE2440V-3HTR

COLOR

BLACK, TEXTURED
EPOXY POWDER-COAT

CLASSIFICATION

SEISMIC ZONE 4
UL LISTED
19" EIA-310-D COMPLIANT
ROHS COMPLAINT

All information has been expressed with the highest degree of accuracy, however DAMAC does not accept liability in the event there are printed errors or omissions. All DAMAC trademarks are property of Damac Products, Inc. Other trademarks are property of their respective owners. Printed information and specifications are subject to change without notice.
©2008 DAMAC Products, Inc. All Rights Reserved



14489 INDUSTRY CIRCLE
LA MIRADA, CA 90638
TEL: 888.949.2289
WWW.DAMAC.COM

ALL INFORMATION ARE PROPRIETARY DATA OF DAMAC PRODUCTS INC. ANY REPRODUCTION/USE IN ANY FORM MUST HAVE PRIOR WRITTEN AGREEMENT W/ DAMAC.
TOLERANCE: .XXX±0.10 .XX±0.30 .X±0.60 (DEG)±.5
ALL DIM. ARE IN INCHES UNLESS OTHERWISE SPECIFIED

TITLE: CABINET, RAPIDNETRAIL™
84.00 x 24.00 x 40.00
19" RACKABLE

PART NO. FRN84EP-3HTR
ENG: AP 06.02.2008

CHECKED BY: CR
SHEET: 1/1

MATERIAL: N/A
FINISH: EPOXY POWDER-COAT, BLACK
MAX BEND R=.030, RELIEF=.060 AIR.
UNLESS OTHERWISE SPECIFIED

