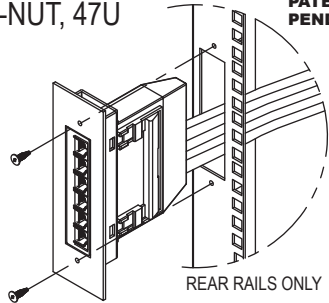
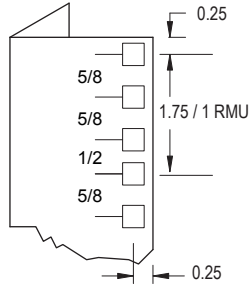


RapidNetRail Cabinet Solution: 84"H X 24"W X 48"D  
PART# FRN84ES-3HTR

**RAPIDNETRAIL™ M6 CAGE-NUT, 47U**  
(2) PAIR, 19" EIA-310-D COMPLIANT

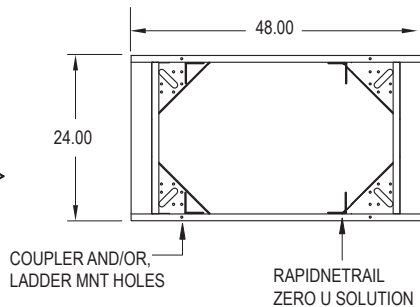
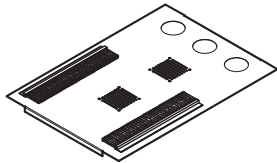
PATENT PENDING



144 COPPER PORTS  
288 FIBER PORTS

TOP VIEW

OPTIONAL TOP PANEL  
PART# TE2436V-3HTR

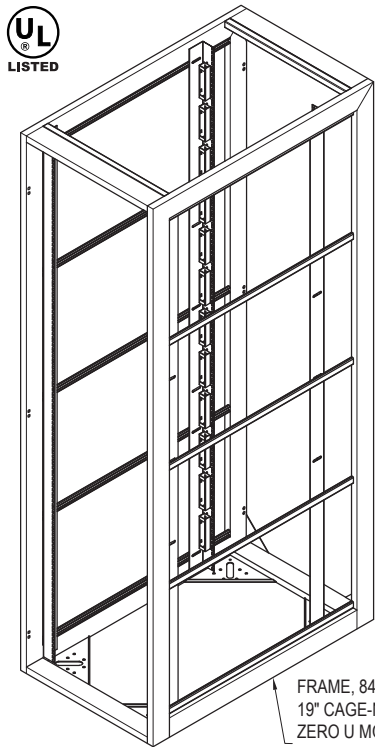
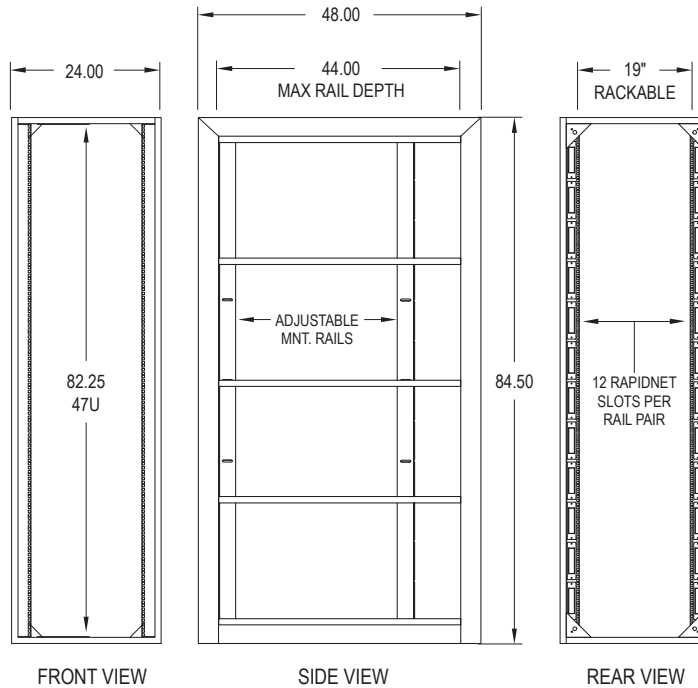
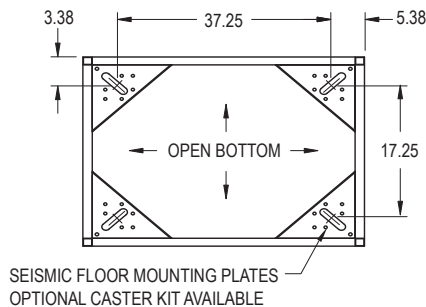


BOTTOM VIEW

FLOOR MNT DIMS: 17.25 x 25.25  
(4) FLOOR LEVELERS INCLD.



OPTIONS:  
CASTER KIT: PART# AFCYO  
HD FLR LEVELERS: HD92203



DIMENSIONS

EXTREME FRAME  
1 x 3 TUBULAR STEEL  
HEIGHT: 84.50  
WIDTH: 24.00  
DEPTH: 48.00

WT CAPACITY

3000 LBS. STATIC CAP.  
2000 LBS. ROLLING CAP.

RATING

SEISMIC ZONE 4

MOUNTING RAIL

47 RMU, L-RACK ANGLES  
M6 CAGE-NUT, SQ HOLE  
EIA SPACING, 5/8 x 5/8 x 1/2  
19" RACKABLE  
ADJUSTABLE, MAX 44.00 DEPTH  
R. RAIL PAIR: RAPIDNET READY  
12 CASSETTES/RAIL, 24/PAIR

SIDE PANEL, NONE

OPTIONAL SOLID SIDE PANEL (1x)  
PART# SE8448S-3

DOORS, NONE

OPTIONAL DOOR W/ LOCK  
MESH: PART# DE8424B-3  
V.PLEX: PART# DE8424V-3

TOP, NONE

OPTIONAL VENTED TOP PANEL)  
PART# TE2448V-3HTR

COLOR

BLACK, TEXTURED  
EPOXY POWDER-COAT

CLASSIFICATION

SEISMIC ZONE 4  
UL LISTED  
19" EIA-310-D COMPLIANT  
ROHS COMPLAINT

All information has been expressed with the highest degree of accuracy, however DAMAC does not accept liability in the event there are printed errors or omissions. All DAMAC trademarks are property of Damac Products, Inc. Other trademarks are property of their respective owners. Printed information and specifications are subject to change without notice.  
©2008 DAMAC Products, Inc. All Rights Reserved



14489 INDUSTRY CIRCLE  
LA MIRADA, CA 90638  
TEL: 888.949.2289  
WWW.DAMAC.COM

ALL INFORMATION ARE PROPRIETARY DATA OF DAMAC PRODUCTS INC. ANY REPRODUCTION/USE IN ANY FORM MUST HAVE PRIOR WRITTEN AGREEMENT W/ DAMAC.  
TOLERANCE: .XXX±0.10 .XX±0.30 .X±0.60 (DEG)±.5  
ALL DIM. ARE IN INCHES UNLESS OTHERWISE SPECIFIED

TITLE: CABINET, RAPIDNETRAIL™  
84.00 x 24.00 x 48.00  
19" RACKABLE

PART NO.  
FRN84ES-3HTR  
ENG: AP 06.02.2008

CHECKED BY:  
CR  
SHEET: 1/1

MATERIAL: N/A  
FINISH: EPOXY POWDER-COAT, BLACK  
MAX BEND R=.030, RELIEF=.060 AIR.  
UNLESS OTHERWISE SPECIFIED

