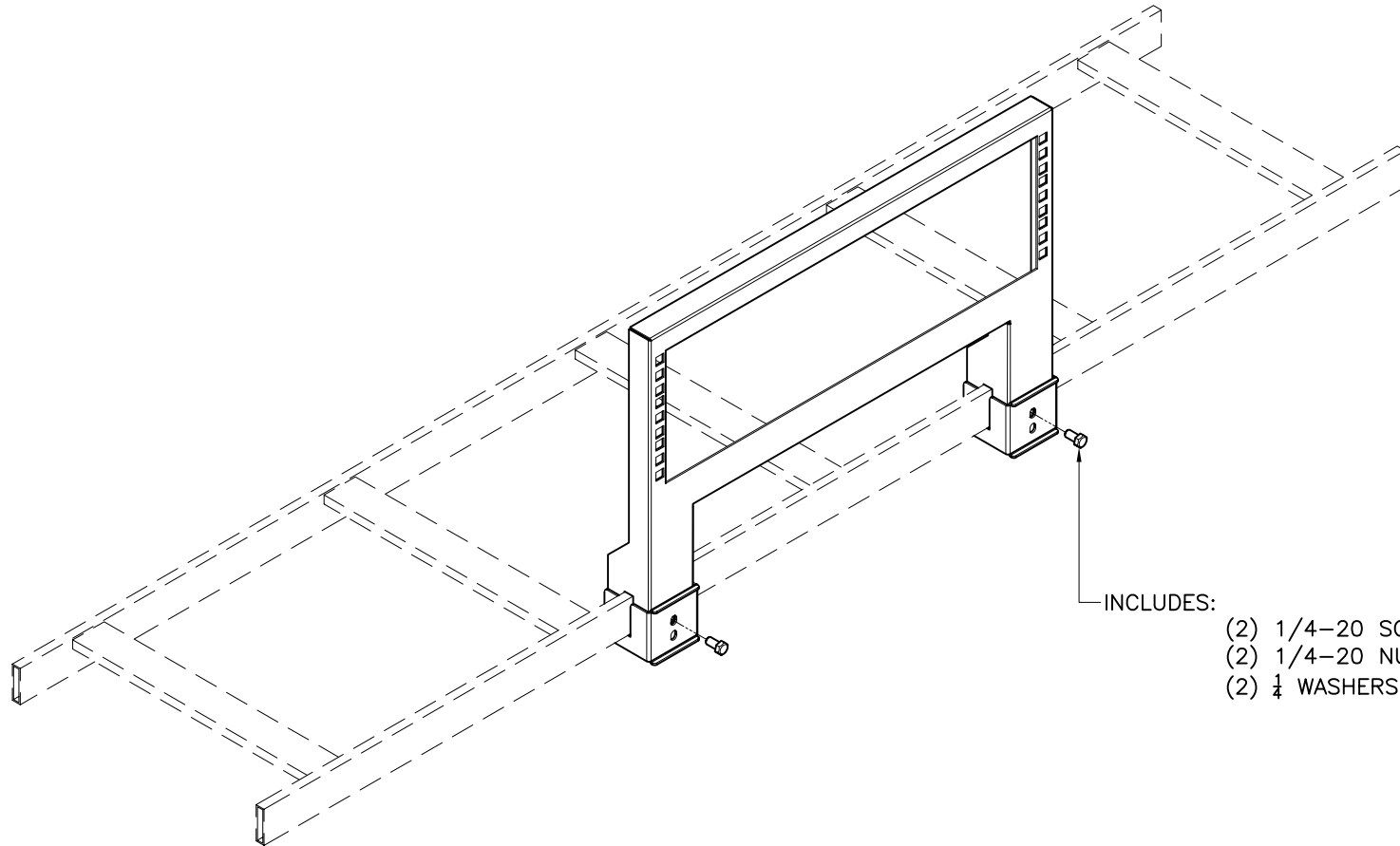


REVISIONS			
REV	ECO	DATE	DESCRIPTION
--	--	05.25.2005	RELEASED TO CUSTOMER SERVICE



- INCLUDES:
- (2) 1/4-20 SCREW
 - (2) 1/4-20 NUTS
 - (2) 1/4 WASHERS



ALL INFORMATION ARE PROPRIETARY DATA OF DAMAC PRODUCTS INC. ANY REPRODUCTION/USE IN ANY FORM MUST HAVE PRIOR WRITING AGREEMENT W/ DAMAC.
 TOLERANCE .00X±.010 .00X±.030 .X±.080 (DEC)±.5
 ALL DIM. ARE IN INCHES UNLESS OTHERWISE SPECIFIED

LADDER KIT, 4U RACK
 VERTICAL MOUNT

PART NO.
 PLA1904PV-3F
 DRAWN BY: AP DATE: 05.25.2005

CHECKED BY: CR
 SCALE: N/A
 SHEET: 1 OF 1
 REV: --

MATERIAL: N/A
 FINISH: N/A
 MAX BEND R=.030, RELIEF=.060 A/R.
 UNLESS OTHERWISE SPECIFIED