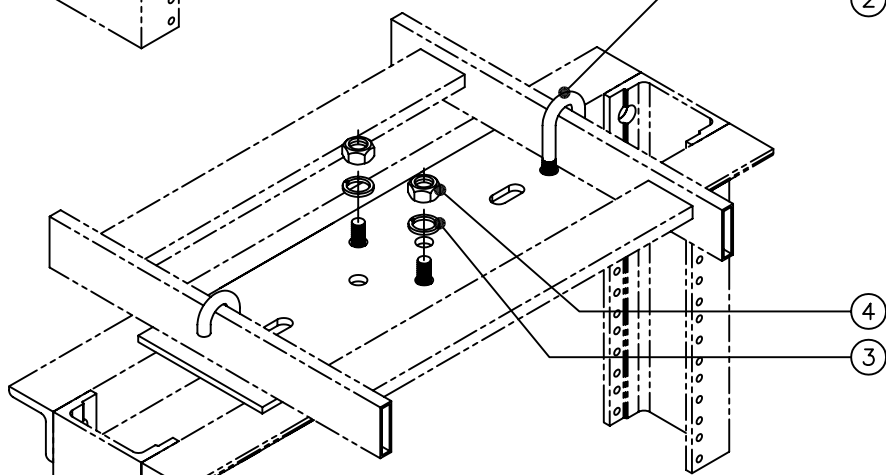
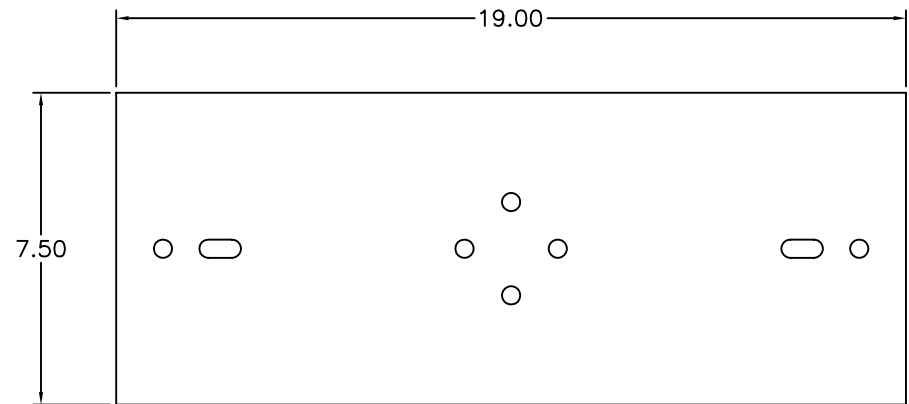


**CONFIG. 1**



**CONFIG. 2**



4	HD-36001	NUT, HEX, 5/16"-18	4
3	HD-49013	WASHER, SPLIT LOCK, 5/16"	4
2	HD-26006	J-BOLT, 5/16"-18 x 2.25"	4
1	MT-84012	PLATE, RACK-LAD MTG, 7.5 x 13	1
ITEM	PART NO	DESCRIPTION	QTY



ALL INFORMATION ARE PROPRIETARY DATA OF DAMAC PRODUCTS INC. ANY REPRODUCTION/USE IN ANY FORM MUST HAVE PRIOR WRITING AGREEMENT W/ DAMAC.  
 TOLERANCE .XXX±.010 .XX±.030 .X±.080 (DEC)±.5  
 ALL DIM. ARE IN INCHES UNLESS OTHERWISE SPECIFIED

FILE: PREMISES LADDER LADDER TO RACK SUPPORT

PART NO.	CHECKED BY:	SCALE:	MATERIAL:
PLB18RS6-3	RG	N/A	N/A.
DRAWN BY:	DATE:	SHEET:	FINISH: BLACK.
CR	04.19.2001	1 OF 1	MAX BEND R=.030, RELIEF=.060 A/R.
			UNLESS OTHERWISE SPECIFIED