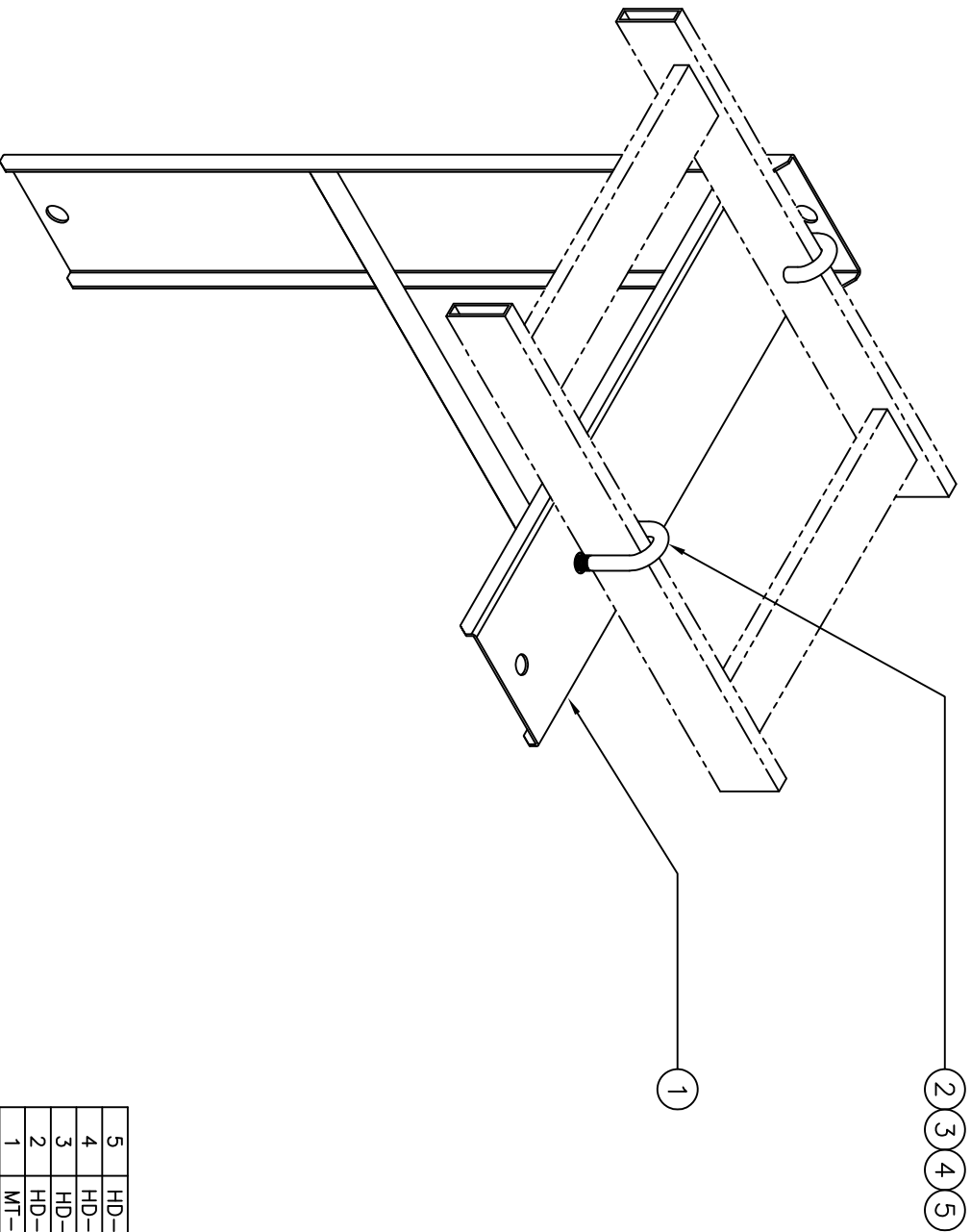


REVISIONS			DESCRIPTION
REV	ECD	DATE	RELEASED TO PRODUCTION
--	--	--	



ITEM	PART NO	DESCRIPTION	QTY
5	HD-49009	WASHER, FLAT, 5/16"	2
4	HD-49013	WASHER, SPLIT LOCK, 5/16"	2
3	HD-36001	NUT, HEX, 5/16"-18	2
2	HD-26003	J-BOLT, 5/16"-18 x 3"	2
1	MT-59920	ASSY., TRI-SUPPORT, 15"-18" RACK	1

**DAMAC** PRODUCTS INC. LA BUREAU, CA 90008

ALL DIMENSIONS ARE APPROXIMATE. USE OF DIMENSIONS MUST HAVE FROM WRITING AGREEMENT W/ DAMAC. TOLERANCE: XX.XX, 0.10 XX.XX, 0.20 XX.XX, 0.50 (DEC) 1-5 ALL DIM. ARE IN INCHES UNLESS OTHERWISE SPECIFIED

PREMISES, LADDER 15'-18" W STANDARD DUTY WALL TRIANGULAR SPT

PART NO.	PLBWT18-3	CHG'D	SCALE	MATERIAL: N/A
DRAWN BY:	AP	DATE:	03/18/2008	SHEET: 1 OF 1
REV:	--	CR:	N/A	FINISH: POWDER-COATED BLACK
				MAX BEND R=1.000 RELIEF=.060 A/R.
				UNLESS OTHERWISE SPECIFIED