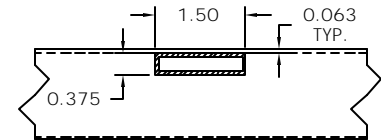
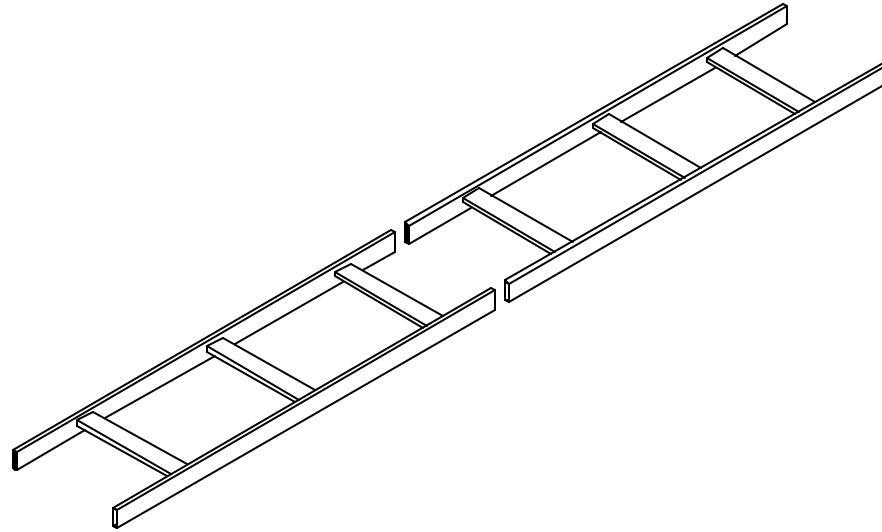
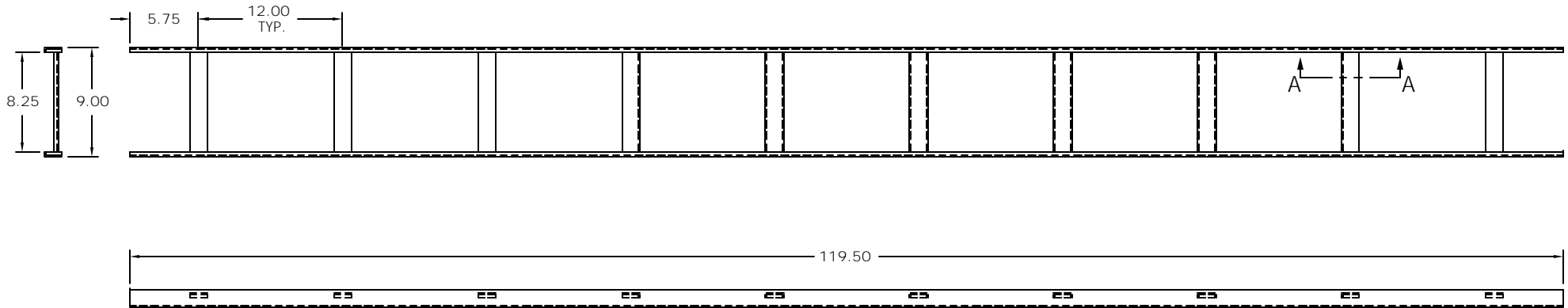


TOTAL MAT'L LENGTH = 26.79'



SECTION A-A
ENLARGED FOR CLARITY



DAMAC
PRODUCTS INC.
LA MPRDA GA 30028

ALL INFORMATION ARE PROPRIETARY DATA OF DAMAC
PRODUCTS INC. ANY REPRODUCTION/USE IN ANY FORM
MUST HAVE PRIOR WRITING AGREEMENT V/ DAMAC
TOLERANCE .004+.010 .004+.008 .004+.010 .004+.015
ALL DIM. ARE IN INCHES UNLESS OTHERWISE SPECIFIED

LADDER, RACK
9.0" x 119.5"
9" WIDE

PART NO.
PLR0910
DRAWN BY: CR DATE: 11.21.2000

CHECKED BY: RG
SCALE: N/A
SHEET: 1 OF 1
REV: A

MATERIAL: TUBE, STL., 1.5"x0.375"x0.06"
FINISH: RAW(NON-FINISHED).
MAX BEND R=.03G. RELIEF=.000 A/R.
UNLESS DITHERWISE SPECIFIED