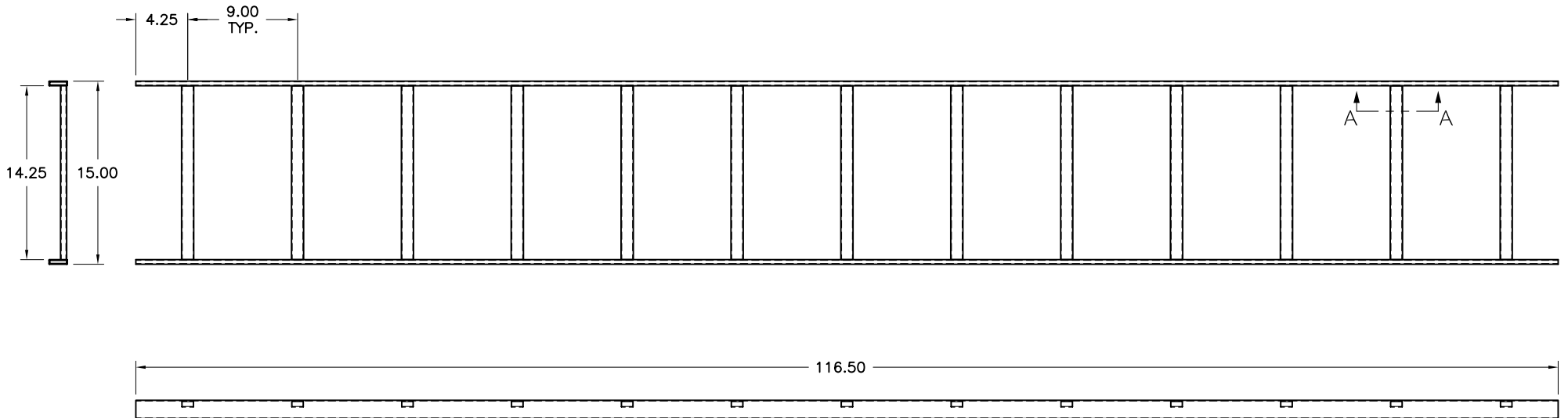
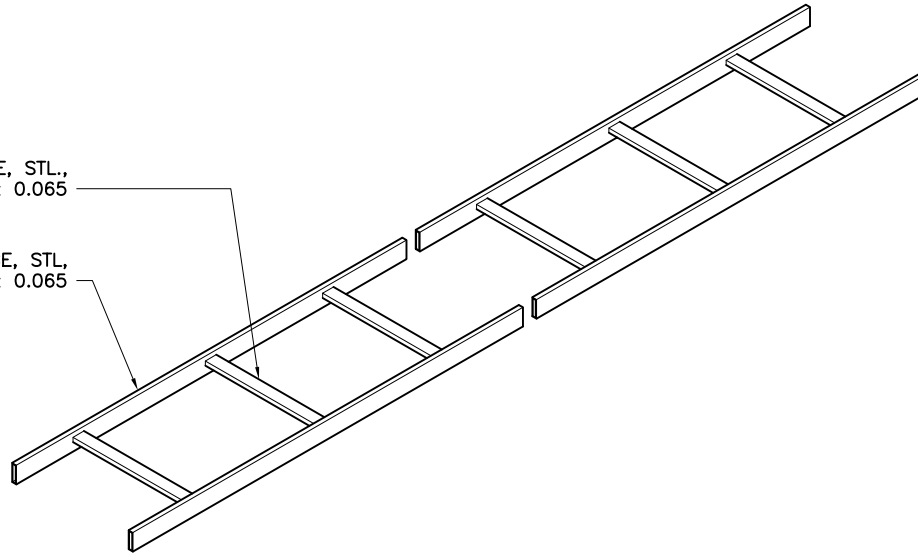


REVISIONS			
REV	ECO	DATE	DESCRIPTION
--	--	--	RELEASED TO PRODUCTION

TUBE, STL,
1.00 x 0.50 x 0.065

TUBE, STL,
1.00 x 0.38 x 0.065



ALL INFORMATION ARE PROPRIETARY DATA OF DAMAC PRODUCTS INC. ANY REPRODUCTION/USE IN ANY FORM MUST HAVE PRIOR WRITING AGREEMENT W/ DAMAC.
TOLERANCE .00X±.010 .01X±.030 .1X±.080 (DEC)±.5
ALL DIM. ARE IN INCHES UNLESS OTHERWISE SPECIFIED

FILE: LADDER, RACK
15.00 x 116.50
15" WIDE, TELCO STYLE

PART NO. PLR1510T-X
DRAWN BY: AP DATE: 06.08.2006

CHECKED BY: CR
SCALE: N/A
SHEET: 1 OF 1
REV: --

MATERIAL: N/A
FINISH: POWDER-COATED
MAX BEND R=.030, RELIEF=.060 A/R.
UNLESS OTHERWISE SPECIFIED