

TANDEM RACK SERIES
R4A19084B-3MU W/12-24 CHANNELS

REVISIONS			
REV	ECO	DATE	DESCRIPTION
--	--	--	RELEASED TO PRODUCTION

DIMENSIONS

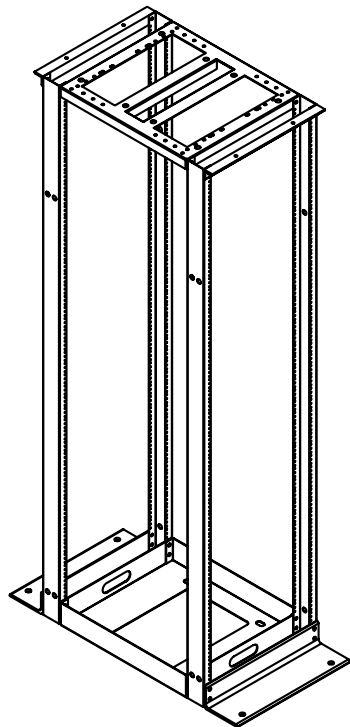
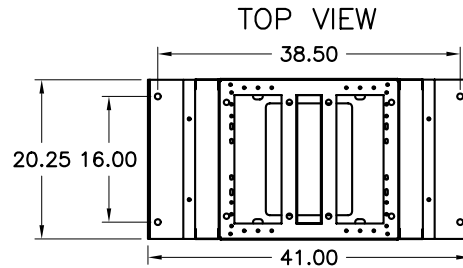
TANDEM RACK
 HEIGHT 84.00"
 WIDTH 20.25"
 DEPTH 29.00"

RAIL TYPE

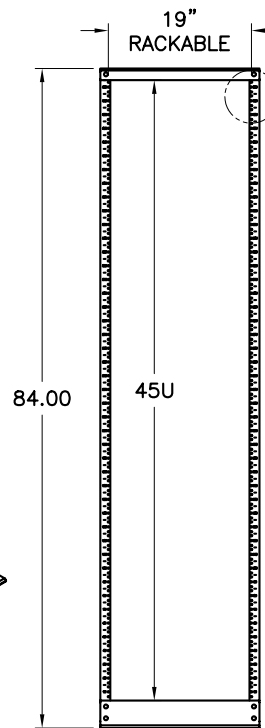
ALUMINUM UPRIGHTS
 12-24 TAPPED HOLES
 19" RACKABLE

SPECIFICATIONS

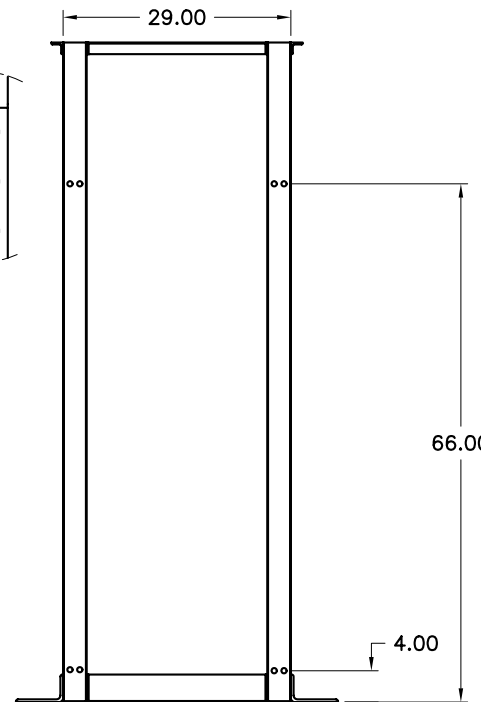
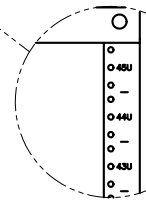
- * STANDARD EIA HOLE PATTERN: $\frac{5}{8}$ " $\frac{5}{16}$ " $\frac{1}{2}$ "
- * TOP AND BASE ANGLES CONSTRUCTED OF 6061-T6 ALUMINUM
- * UPRIGHTS CONSTRUCTED OF 5052-H32 ALUMINUM
- * DURABLE BLACK POWDER COATED FINISH
- * ASSEMBLY HARDWARE INCLUDED (BLACK)
- * 12-24 DOG POINT, BLACK, SCREWS (40pcs)
- * PANEL MOUNTING HOLE CENTERS, 19" RACK: 18.31"
- * MINIMUM INSIDE DIMENSION UPRIGHT, 19" RACK: 17.75"
- * PROVIDES 45 USABLE RACK UNITS
- * LOAD CAPACITY: 2000 LBS.
- * RMU MARKINGS



ISOMETRIC VIEW



FRONT VIEW



SIDE VIEW

DAMAC PRODUCTS INC. LA MIRADA, CA 90638	ALL INFORMATION ARE PROPRIETARY DATA OF DAMAC PRODUCTS INC. ANY REPRODUCTION/USE IN ANY FORM MUST HAVE PRIOR WRITING AGREEMENT W/ DAMAC. TOLERANCE .0006, .010 .004, .030 .006, .060 (.002) ±.5 ALL DIM. ARE IN INCHES UNLESS OTHERWISE SPECIFIED	TITLE: RACK, TANDEM 84"H x 19" RACK x 29"D 19" RACKABLE	PART NO. R4A19084B-3MU	CHECKED BY: CR	SCALE: N/A	MATERIAL: N/A FINISH: POWDER-COATED BLACK MAX BEND R=.030, RELIEF=.060 A/R. UNLESS OTHERWISE SPECIFIED
			DRAWN BY: AP DATE: 02.11.2008	SHEET: 1 OF 1	REV: --	