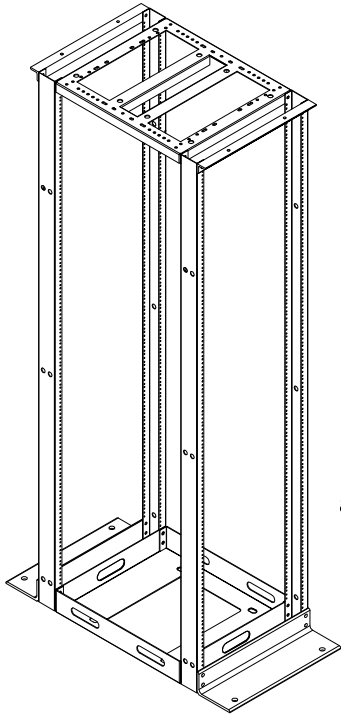
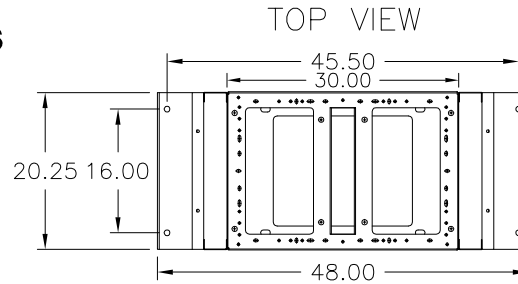


**TANDEM RACK SERIES**  
**R4A19084D-3MU W/12-24 CHANNELS**

| REVISIONS |     |      |                        |
|-----------|-----|------|------------------------|
| REV       | ECO | DATE | DESCRIPTION            |
| --        | --  | --   | RELEASED TO PRODUCTION |



ISOMETRIC VIEW



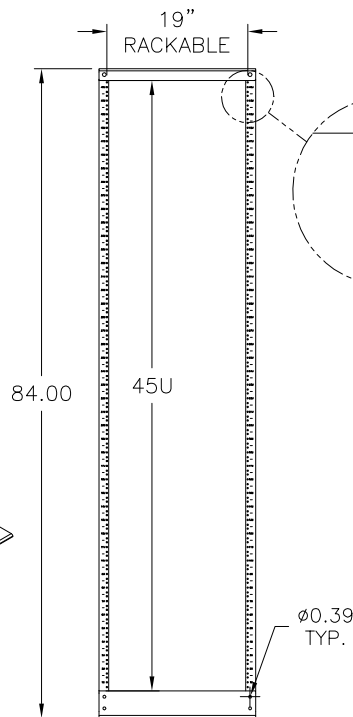
TOP VIEW

**DIMENSIONS TANDEM RACK**

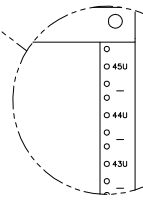
HEIGHT 84.00"  
 WIDTH 20.25"  
 DEPTH 36.00"

**RAIL TYPE ALUMINUM UPRIGHTS**

12-24 TAPPED HOLES  
 19" RACKABLE



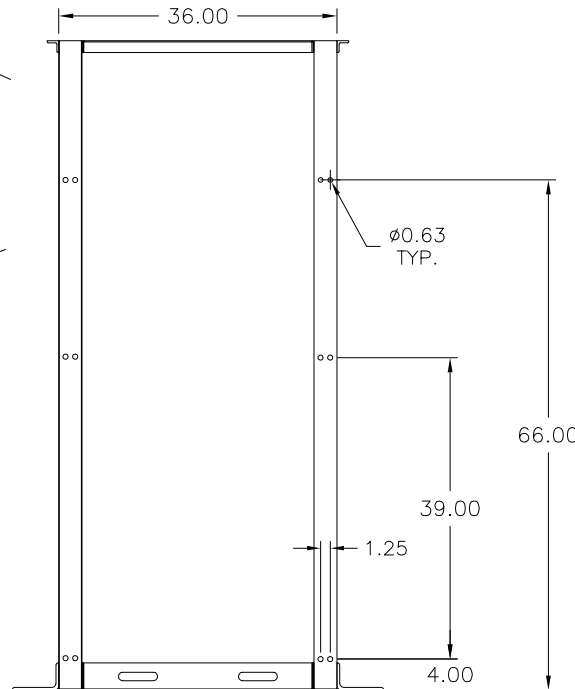
FRONT VIEW



∅0.39  
TYP.

**SPECIFICATIONS**

- \* STANDARD EIA HOLE PATTERN: 5" 8" 1"
- \* TOP AND BASE ANGLES CONSTRUCTED OF 6061-T6 ALUMINUM
- \* UPRIGHTS CONSTRUCTED OF 5052-H32 ALUMINUM
- \* DURABLE BLACK POWDER COATED FINISH
- \* ASSEMBLY HARDWARE INCLUDED (BLACK)
- \* 12-24 DOG POINT, BLACK, SCREWS (40pcs)
- \* PANEL MOUNTING HOLE CENTERS, 19" RACK: 18.31"
- \* MINIMUM INSIDE DIMENSION UPRIGHT, 19" RACK: 17.75"
- \* PROVIDES 45 USABLE RACK UNITS
- \* LOAD CAPACITY: 2000 LBS.
- \* RMU MARKINGS



SIDE VIEW

**DAMAC**  
 PRODUCTS INC.  
 LA MIRADA, CA 90638

ALL INFORMATION ARE PROPRIETARY DATA OF DAMAC PRODUCTS INC. ANY REPRODUCTION/USE IN ANY FORM MUST HAVE PRIOR WRITING AGREEMENT W/ DAMAC.  
 TOLERANCE: .XXX±.010 .XXX±.030 .XX±.060 (DEG)±.5  
 ALL DIM. ARE IN INCHES UNLESS OTHERWISE SPECIFIED

TITLE: RACK, TANDEM  
 84"H x 19" RACK x 36"D  
 19" RACKABLE

PART NO. R4A19084D-3MU  
 DRAWN BY: AP DATE: 02.11.2008

CHECKED BY: CR  
 SHEET: 1 OF 1  
 REV: --

SCALE: N/A  
 MATERIAL: N/A  
 FINISH: POWDER-COATED BLACK  
 MAX BEND R=.030, RELIEF=.060 A/R,  
 UNLESS OTHERWISE SPECIFIED