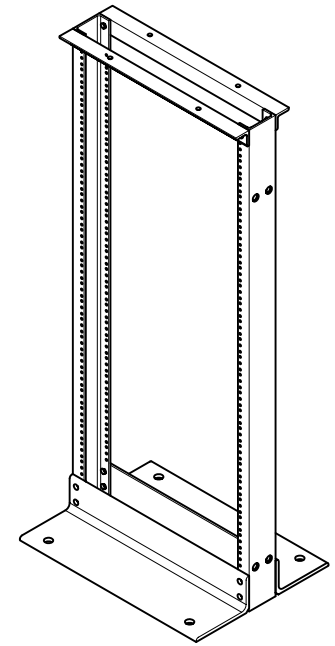
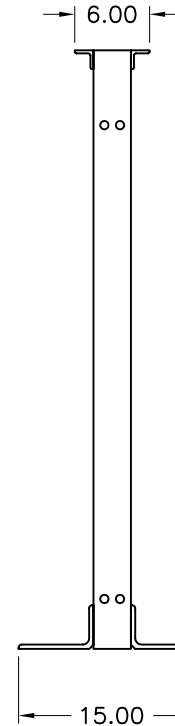
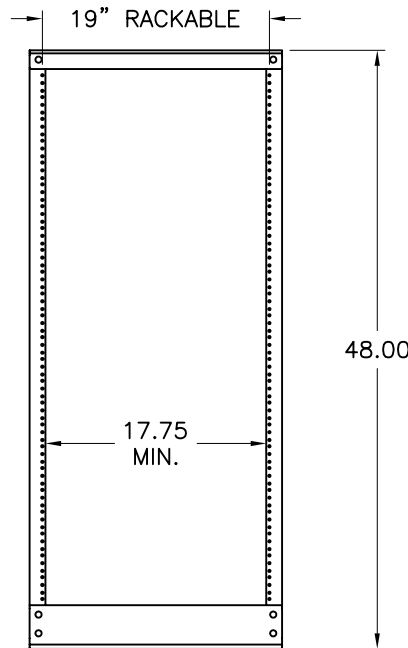
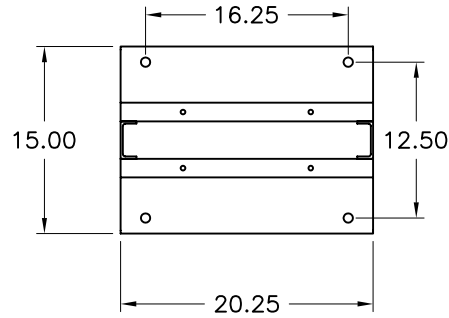


RELAY RACK SERIES RRA19048

SPECIFICATIONS

- * UL LISTED
- * STANDARD EIA HOLE PATTERN: $\frac{5}{8}$ " $\frac{5}{8}$ " $\frac{1}{2}$ "
- * #12-24 TAPPED HOLES
- * LOAD CAPACITY: 700LBS.
- * MATERIAL: 6061-T6 ALUMINUM
- * FINISH: CLEAR



ISOMETRIC VIEW



ALL INFORMATION ARE PROPRIETARY DATA OF DAMAC PRODUCTS INC. ANY REPRODUCTION/USE IN ANY FORM MUST HAVE PRIOR WRITING AGREEMENT W/ DAMAC.
TOLERANCE .000±.010 .001±.030 .002±.060 (DEC)±.5
ALL DIM. ARE IN INCHES UNLESS OTHERWISE SPECIFIED

TITLE: HEAVY DUTY RACK
48.0 x 20.25 x 15.00
STD. RELAY RACK

PART NO. RRA19048
DRAWN BY: AP DATE: 06.08.2006

CHECKED BY: CR
SHEET: 1 OF 1

SCALE: N/A
MATERIAL: ALUM 6061-T6
FINISH: CLEAR
MAX BEND R=.030, RELIEF=.060 A/R.
UNLESS OTHERWISE SPECIFIED