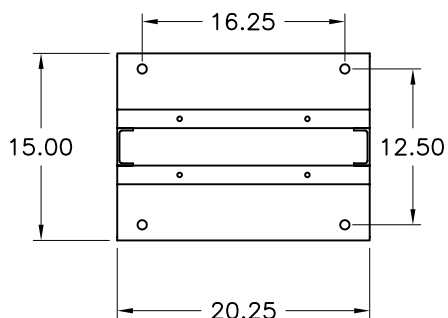


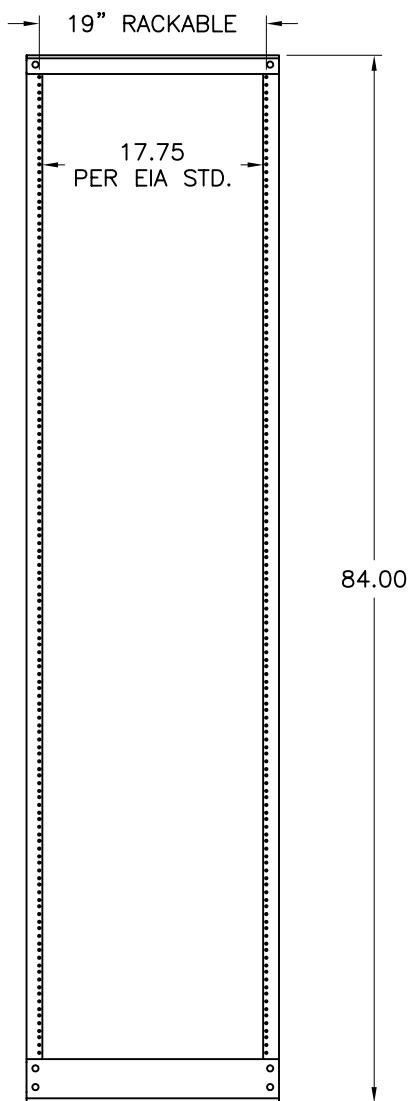
RELAY RACK SERIES RRA19084

SPECIFICATIONS

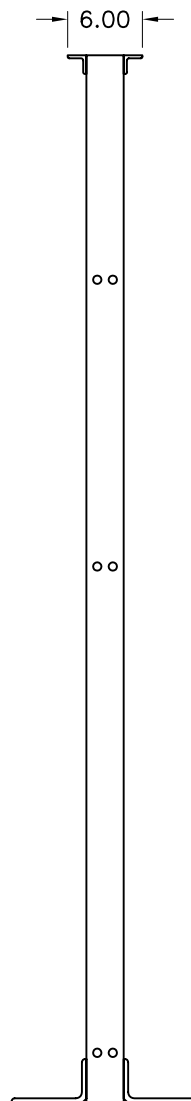
- * UL LISTED
- * STANDARD EIA HOLE PATTERN: $\frac{5}{8}$ " $\frac{5}{8}$ " $\frac{1}{2}$ "
- * #12-24 TAPPED HOLES
- * LOAD CAPACITY: 700LBS.
- * MATERIAL: 6061-T6 ALUMINUM
- * FINISH: CLEAR ALUM.



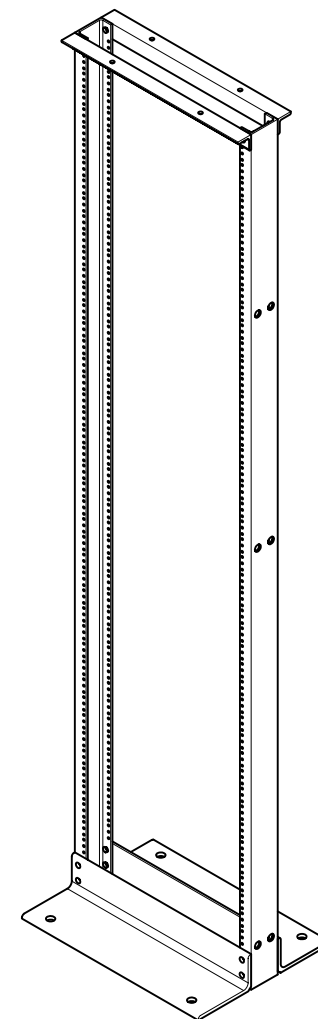
TOP VIEW



FRONT VIEW



FRONT VIEW



ISOMETRIC VIEW



ALL INFORMATION ARE PROPRIETARY DATA OF DAMAC PRODUCTS INC. ANY REPRODUCTION/USE IN ANY FORM MUST HAVE PRIOR WRITING AGREEMENT W/ DAMAC.
TOLERANCE .000 \pm .010 .001 \pm .030 .031 \pm .080 (DEC) \pm .5
ALL DIM. ARE IN INCHES UNLESS OTHERWISE SPECIFIED

FILE: STANDARD DUTY RACK
84.0 x 20.25 x 15.00
STANDARD RELAY RACK

PART NO.
RRA19084
DRAWN BY: CR
DATE: 12.04.2001

CHECKED BY: RG
SHEET: 1 OF 1

SCALE: N/A
MATERIAL: ALUM 6063-T6
FINISH: RAW(NON-FINISHED).
MAX BEND R=.030, RELIEF=.060 A/R.
UNLESS OTHERWISE SPECIFIED