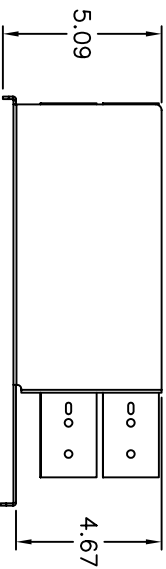
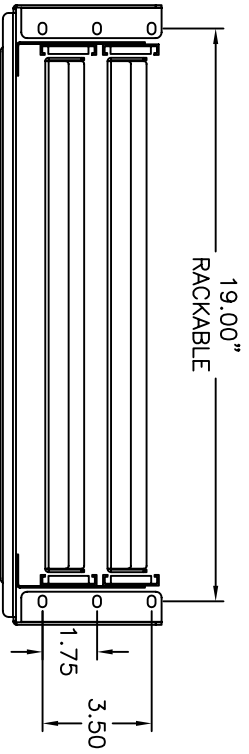
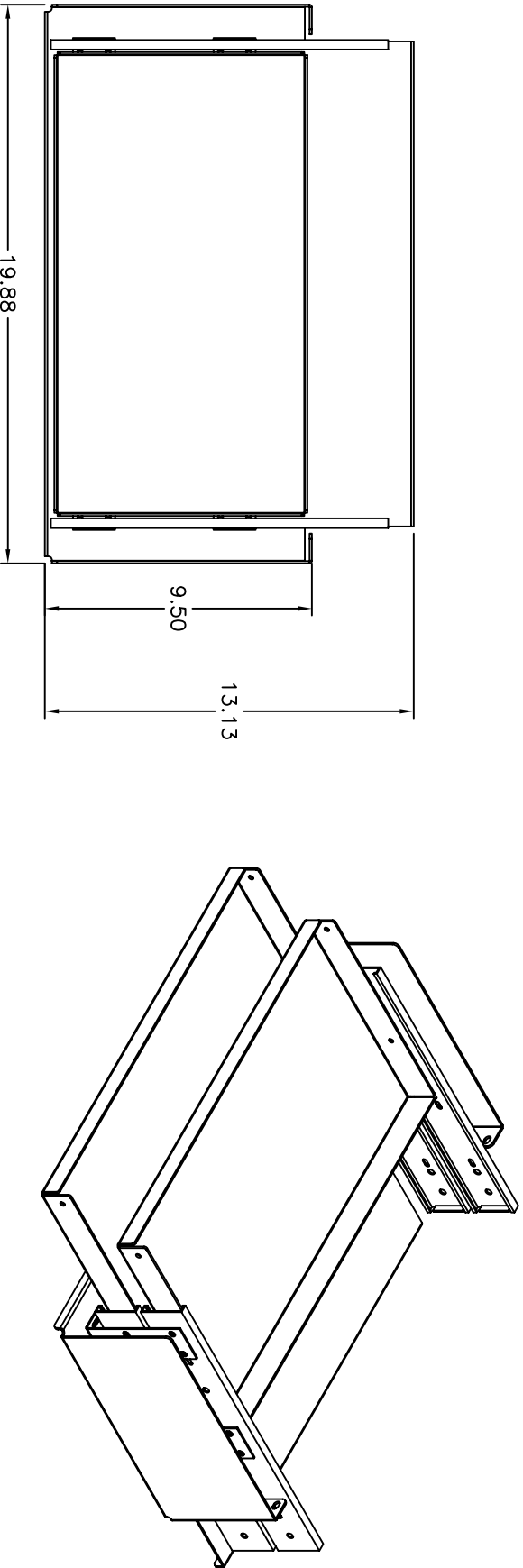


REVISIONS			
REV	ECD	DATE	DESCRIPTION
--	--	--	RELEASED TO PRODUCTION



DAMAC PRODUCTS INC. LA BREA, CA 90038	THIS INFORMATION IS PROPRIETARY AND THE PROPERTY OF DAMAC PRODUCTS INC. IT IS TO BE KEPT CONFIDENTIAL AND NOT REPRODUCED OR TRANSMITTED IN ANY FORM OR BY ANY MEANS, ELECTRONIC OR MECHANICAL, INCLUDING PHOTOCOPYING, RECORDING, OR BY ANY INFORMATION STORAGE AND RETRIEVAL SYSTEM, WITHOUT THE WRITTEN PERMISSION OF DAMAC PRODUCTS INC.		PART NO. SRA19DKS-3	ORDERED BY: CR	SCALE: N/A	MATERIAL: N/A
	SHELF, DOUBLE KEYBOARD RACKABLE 19.88 x 5.09 x 13.13	DRAWN BY: AP	DATE: 10/10/2006	SHEET: 1 OF 1	REV: --	FINISH: POWDER-COATED BLACK MAX BEND R=1.000 RELIEF=.060 A/R. UNLESS OTHERWISE SPECIFIED