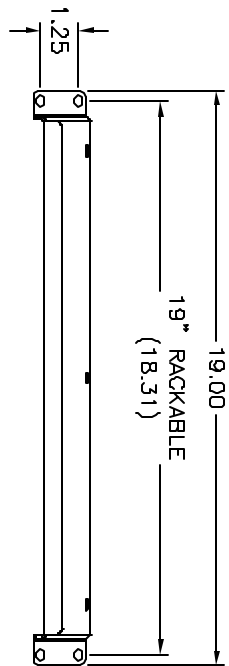
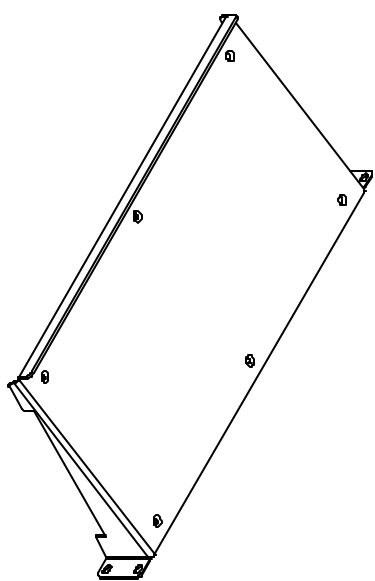


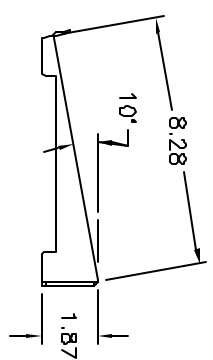
TOP VIEW



FRONT VIEW



ISOMETRIC VIEW



SIDE VIEW

DAWAC PRODUCTS INC. <small>11 WILSON, VA 23062</small>		<small>ALL INFORMATION AND DIMENSIONS ARE SUBJECT TO CHANGE WITHOUT NOTICE AND WITHOUT LIABILITY. THIS DRAWING IS THE PROPERTY OF DAWAC PRODUCTS INC. AND IS NOT TO BE REPRODUCED OR TRANSMITTED IN ANY FORM OR BY ANY MEANS, ELECTRONIC OR MECHANICAL, INCLUDING PHOTOCOPYING, RECORDING, OR BY ANY INFORMATION STORAGE AND RETRIEVAL SYSTEM.</small>		SHELF, FIXED KEYBOARD 19" RACKABLE		PART NO. SPA19KF-3	REVISION 1 OF 1	DATE 10/11/2004	DRAWN BY JG	CHECKED BY N/A	SCALE N/A	MATERIAL ALUM. 6062 (0.090 THK.) FINISH: BLACK MAX BEND R=0.50 UNLESS OTHERWISE SPECIFIED RELIEF=0.000 A/R
---	--	--	--	---------------------------------------	--	-----------------------	--------------------	--------------------	----------------	-------------------	--------------	---