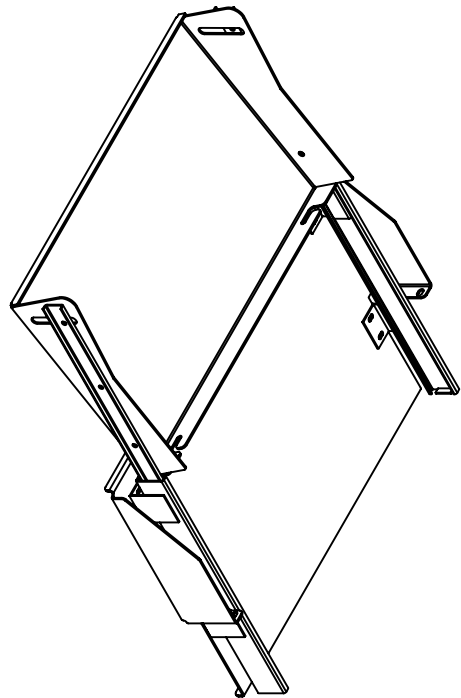
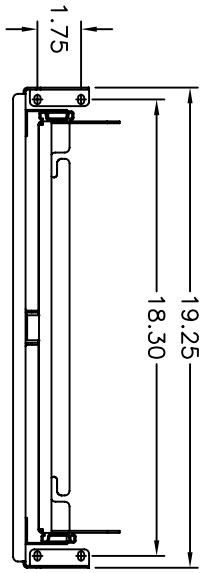


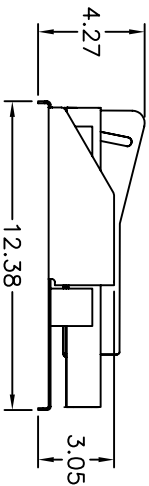
TOP VIEW



ISOMETRIC VIEW
KEYBOARD TRAY
SHOWN IN EXTENDED POSITION



FRONT VIEW



SIDE VIEW

DAMAC PRODUCTS		INC. 10100 10100		NO. 10100 10100		10100 10100		10100 10100		10100 10100	
SANTA FE SPRINGS, CA 90670		TOLERENCE, XXXX.010		XXX.030		XX.080		(0.03)±.5		MATERIAL: N/A	
FINISH: RAW (NON-FINISHED)		MAX BEND R=1.000		RELIEF=.060 A/R.		UNLESS OTHERWISE SPECIFIED					
SHELF, KEYBOARD		TILT, ROLL-OUT		PART NO. SRA19KMT		DRAWN BY: GR		DATE: 07/05/2001		SHEET: 1 OF 1	
				SCALE: N/A		REV: --					