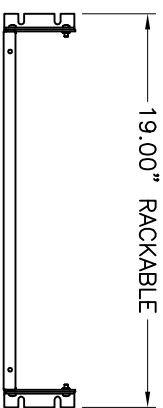
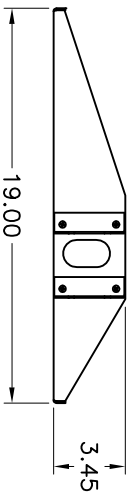
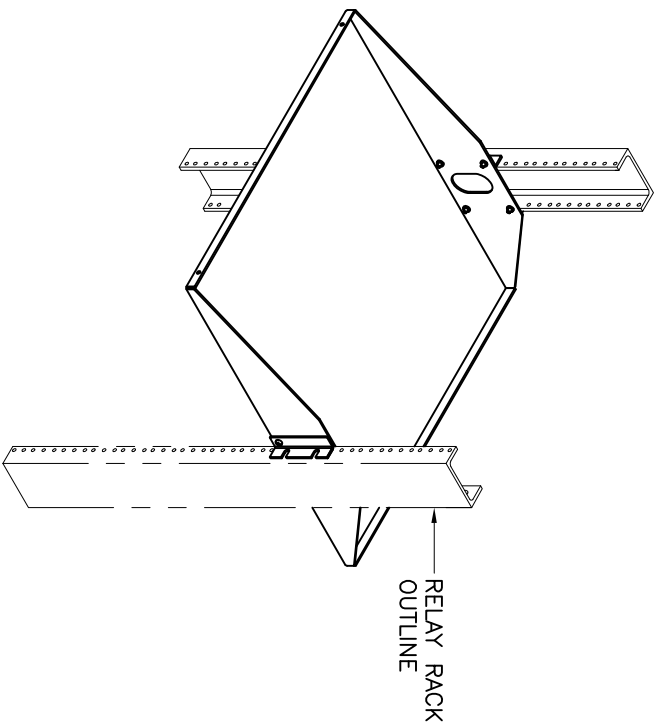


TOP VIEW



REAR VIEW



SIDE VIEW

DAMAC PRODUCTS INC. LA BUREAU, CA 90008	THIS INFORMATION IS PROPRIETARY AND NOT BE LOANED, REPRODUCED, COPIED, OR DISCLOSED TO ANY OTHER PARTY WITHOUT THE WRITTEN AGREEMENT OF DAMAC. TOLERANCE: XX.XX, 0.10 XX.XX, 0.50 XX.XX, 0.00 (DEC) ± 0.5 ALL DIM. ARE IN INCHES UNLESS OTHERWISE SPECIFIED		SHELF, CENTER MOUNT 19" RACKABLE, 19" DEEP SOLID, 2 RACK SPACE		PART NO. SPS1919CS-3	CHECKED BR: CR	SCALE N/A	MATERIAL: N/A FINISH: POWDER COATED BLACK MAX BEND R=0.001 RELIEF=0.060 A/R. UNLESS OTHERWISE SPECIFIED
	DRAWN BY: AP	DATE: 03/18/2008	SHEET: 1 OF: 1	REV: --	DATE: 03/18/2008	SCALE: N/A	FINISH: POWDER COATED BLACK MAX BEND R=0.001 RELIEF=0.060 A/R. UNLESS OTHERWISE SPECIFIED	