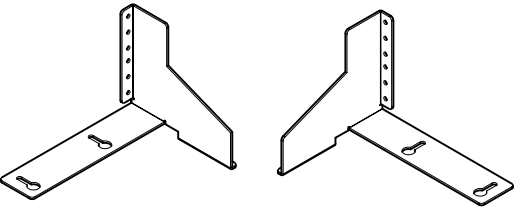
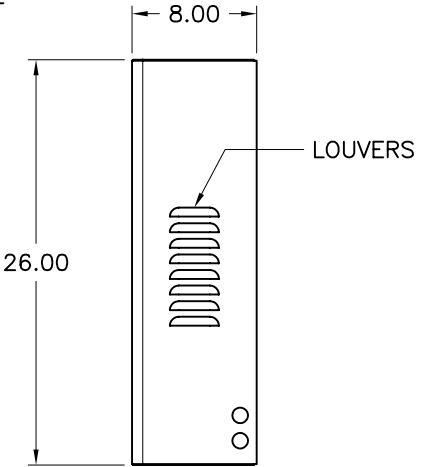
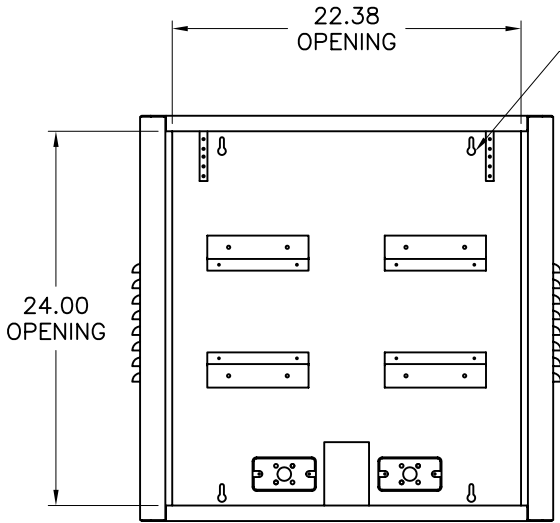
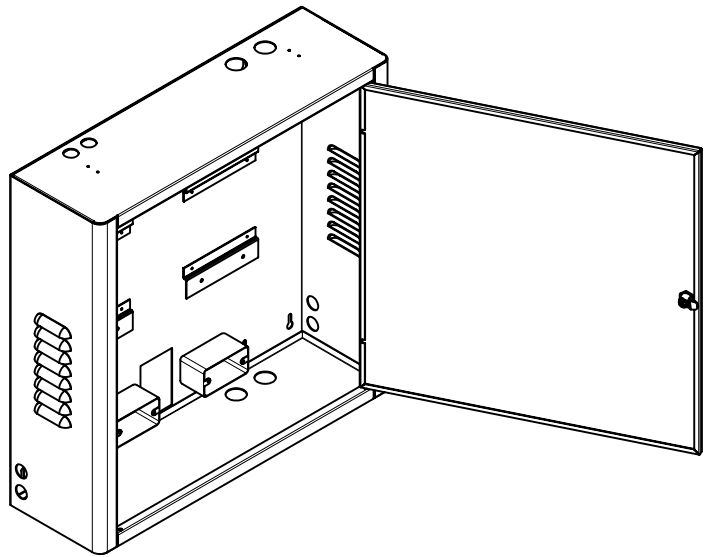
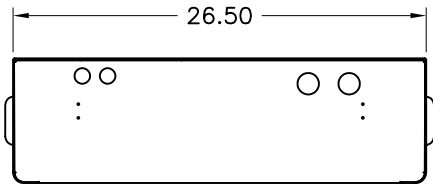


SPECIFICATIONS

ENCLOSURE:
 SIZE: 26.00x26.50x8.00
 MAT'L: 18 GA. (0.05 THK.)
 WT. CAPACITY: 120 LBS.

DOOR:
 SIZE: 24.00 x 22.38
 MAT'L: 18 GA. (0.05 THK.)



BRACKETS ARE INCLUDED FOR VERTICAL 19" RACKABLE PROVISION

DAMAC PRODUCTS INC. LA MIRADA, CA 90638	ALL INFORMATION ARE PROPRIETARY DATA OF DAMAC PRODUCTS INC. ANY REPRODUCTION/USE IN ANY FORM MUST HAVE PRIOR WRITING AGREEMENT W/ DAMAC. TOLERANCE .XXX±.010 .XX±.030 .X±.080 (DEC)±.5 ALL DIM. ARE IN INCHES UNLESS OTHERWISE SPECIFIED	FILE NO. ENCLOSURE, BOX 26.00 x 26.50 x 8.00	PART NO. WDR2608S1LSSX	CHECKED BY: RG SCALE: N/A	MATERIAL: AS NOTED. FINISH: RAW(NON-FINISHED). MAX BEND R=.030, RELIEF=.060 A/R. UNLESS OTHERWISE SPECIFIED
		DRAWN BY: CR DATE: 02.18.2002	SHEET: 1 OF 1 REV: --		