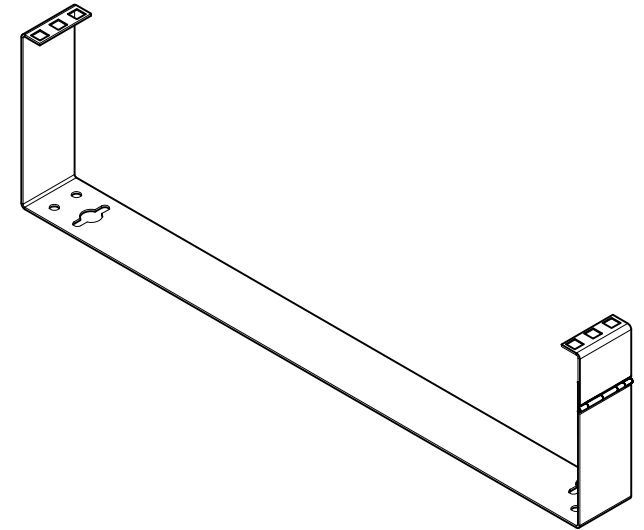
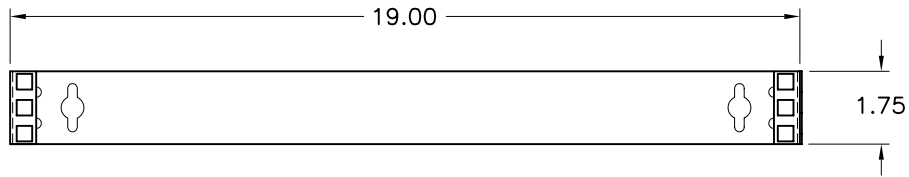
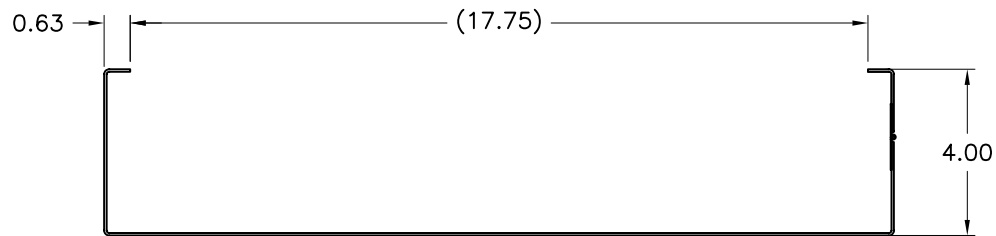


REVISIONS			
REV	ECO	DATE	DESCRIPTION
--	--	--	RELEASED TO PRODUCTION

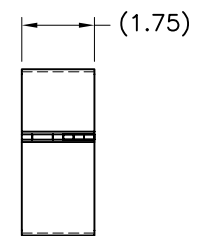
TOP VIEW



FRONT VIEW



SIDE VIEW



ALL INFORMATION ARE PROPRIETARY DATA OF DAMAC PRODUCTS INC. ANY REPRODUCTION/USE IN ANY FORM MUST HAVE PRIOR WRITING AGREEMENT W/ DAMAC.
 TOLERANCE .000±.010 .001±.030 .002±.080 (DED)±.5
 ALL DIM. ARE IN INCHES UNLESS OTHERWISE SPECIFIED

BRACKET, PATCH PANEL WALL MOUNT, 1U 19" RACK, 4" DEEP

PART NO. WPB19014
 DRAWN BY: AP DATE: 06.08.2006

CHECKED BY: CR
 SCALE: N/A
 SHEET: 1 OF 1
 REV: --

MATERIAL: N/A
 FINISH: POWDER COATED
 MAX BEND R=.030, RELIEF=.060 A/R.
 UNLESS OTHERWISE SPECIFIED