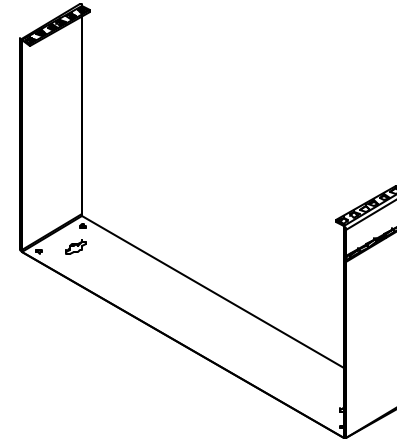
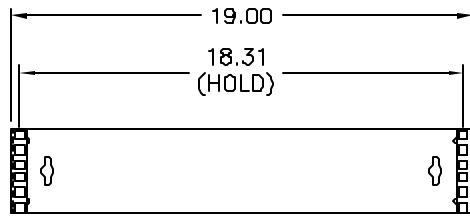
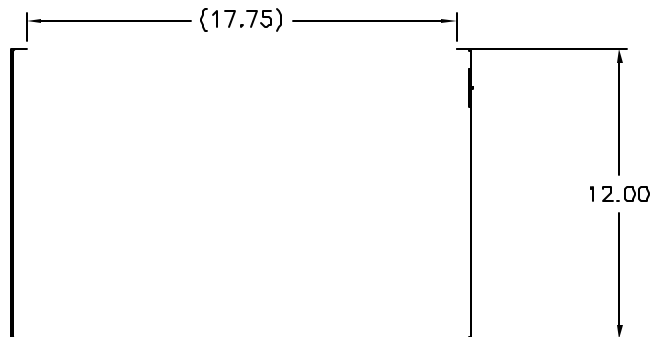


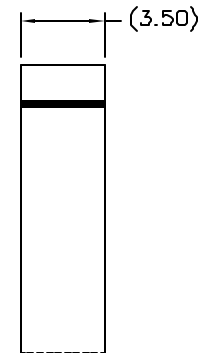
TOP VIEW



FRONT VIEW



SIDE VIEW



DAMAC
PRODUCTS INC.
LA MIRADA CA 90638

ALL INFORMATION ARE PROPRIETARY DATA OF DAMAC
PRODUCTS INC. ANY REPRODUCTION/USE IN ANY FORM
MUST HAVE PRIOR WRITING AGREEMENT V/ DAMAC
TOLERANCE .004-.010 .XX4-.020 .XX4-.030 .100014.5
ALL DIM. ARE IN INCHES UNLESS OTHERWISE SPECIFIED

BRACKET, PATCH PANEL,
WALL MOUNT, 2U
19" RACK, 12" DEEP

PART NO.
WPB190212
DRAWN BY: AP DATE: 01.31.2003

CHECKED BY: ---
SHEET: 1 OF 1

SCALE: N/A

MATERIAL: 16 GA CRS (0.060 THICK).
FINISH: RAW (NON-FINISHED).
MAX BEND R=.030. RELIEF=.040 A/R.
UNLESS OTHERWISE SPECIFIED