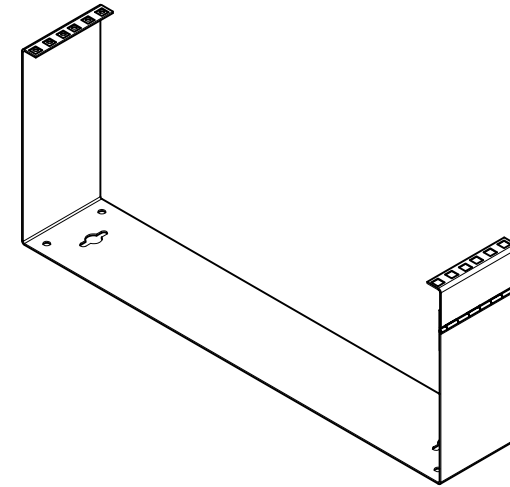
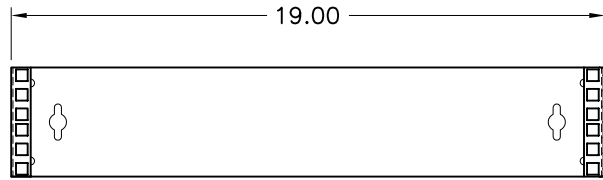
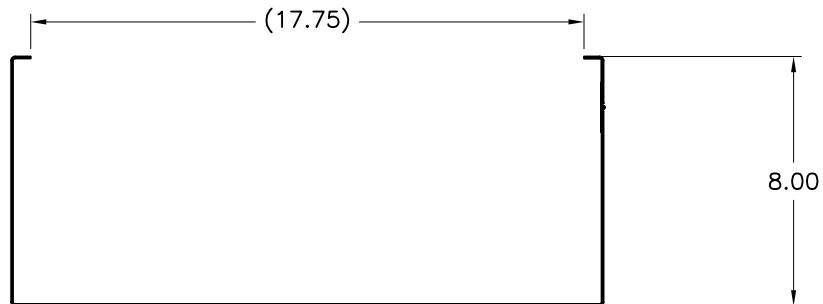


REVISIONS			
REV	ECO	DATE	DESCRIPTION
--	--	--	RELEASED TO PRODUCTION

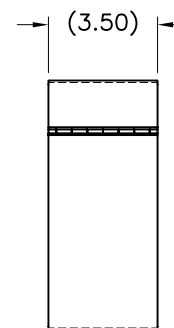
TOP VIEW



FRONT VIEW



SIDE VIEW



DAMAC
PRODUCTS INC.
LA MIRADA, CA 90638

ALL INFORMATION ARE PROPRIETARY DATA OF DAMAC PRODUCTS INC. ANY REPRODUCTION/USE IN ANY FORM MUST HAVE PRIOR WRITING AGREEMENT W/ DAMAC.
TOLERANCE .000±.010 .001±.030 .031±.080 (DED)±.5
ALL DIM. ARE IN INCHES UNLESS OTHERWISE SPECIFIED

BRACKET, PATCH PANEL WALL MOUNT, 2U 19" RACK, 8" DEEP

PART NO.
WPB19028
DRAWN BY: AP DATE: 06.08.2006

CHECKED BY: CR
SHEET: 1 OF 1

SCALE: N/A
MATERIAL: N/A
FINISH: POWDER COATED
MAX BEND R=.030, RELIEF=.060 A/R.
UNLESS OTHERWISE SPECIFIED