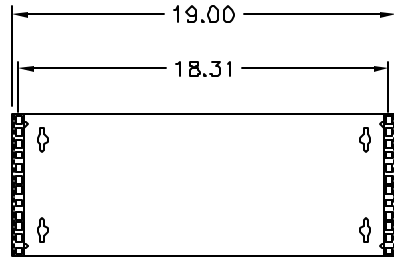
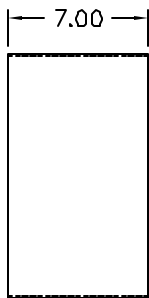


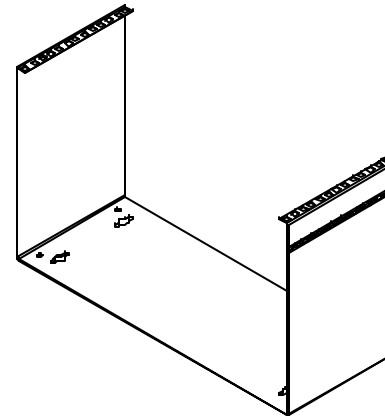
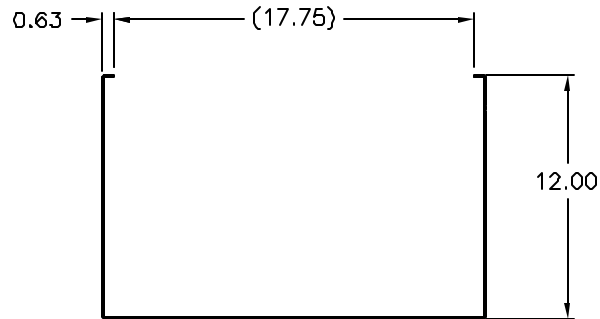
TOP VIEW



SIDE VIEW



FRONT VIEW



DAMAC
PRODUCTS INC.
LA MIRADA, CA 90638

ALL INFORMATION ARE PROPRIETARY DATA OF DAMAC
PRODUCTS INC. ANY REPRODUCTION/USE IN ANY FORM
MUST HAVE PRIOR WRITING AGREEMENT W/ DAMAC.
TOLERANCE: .004-.010 .010-.030 .030-.060 .060-1.0
ALL DIM. ARE IN INCHES UNLESS OTHERWISE SPECIFIED

BRACKET, PATCH PANEL
WALL MOUNT, 4U
19" RACK, 12" DEEP

PART NO.
WPB190412
DRAWN BY: AP
DATE: 05.23.2005

CHECKED BY: --
SCALE: N/A
SHEET: 1 OF 1
REV: --

MATERIAL: XX GA (0.000 THICK).
FINISH: RAW (NON-FINISHED).
MAX BEND R=.030. RELIEF=.040 A/R.
UNLESS OTHERWISE SPECIFIED