

WTB42M TRANS-IT BOX

- * COLD ROLLED STEEL CONSTRUCTION
- * 150 LBS. LOAD CAPACITY
- * ONE PAIR OF ANGLED 19"/4U PATCH PANEL MOUNTING RAILS
12-24 TAPPED PER EIA STANDARD. (HINGE DOWN FOR ACCESS)
- * TWO PAIR OF 19"/4U HUB, ADJUSTABLE MOUNTING BRACKETS
12-24 TAPPED
- * VENTED, FAN READY BOTTOM
- * CONDUIT ENTRANCES ON TOP, BOTTOM AND SIDES
- * KEY LOCKS, TAMPER RESISTANT LOCKS OPTIONAL
- * DURABLE POWDER COAT FINISH IN 6 STANDARD COLORS:
PUTTY, BLUE, BLACK, GRAY, WHITE & HEMATITE

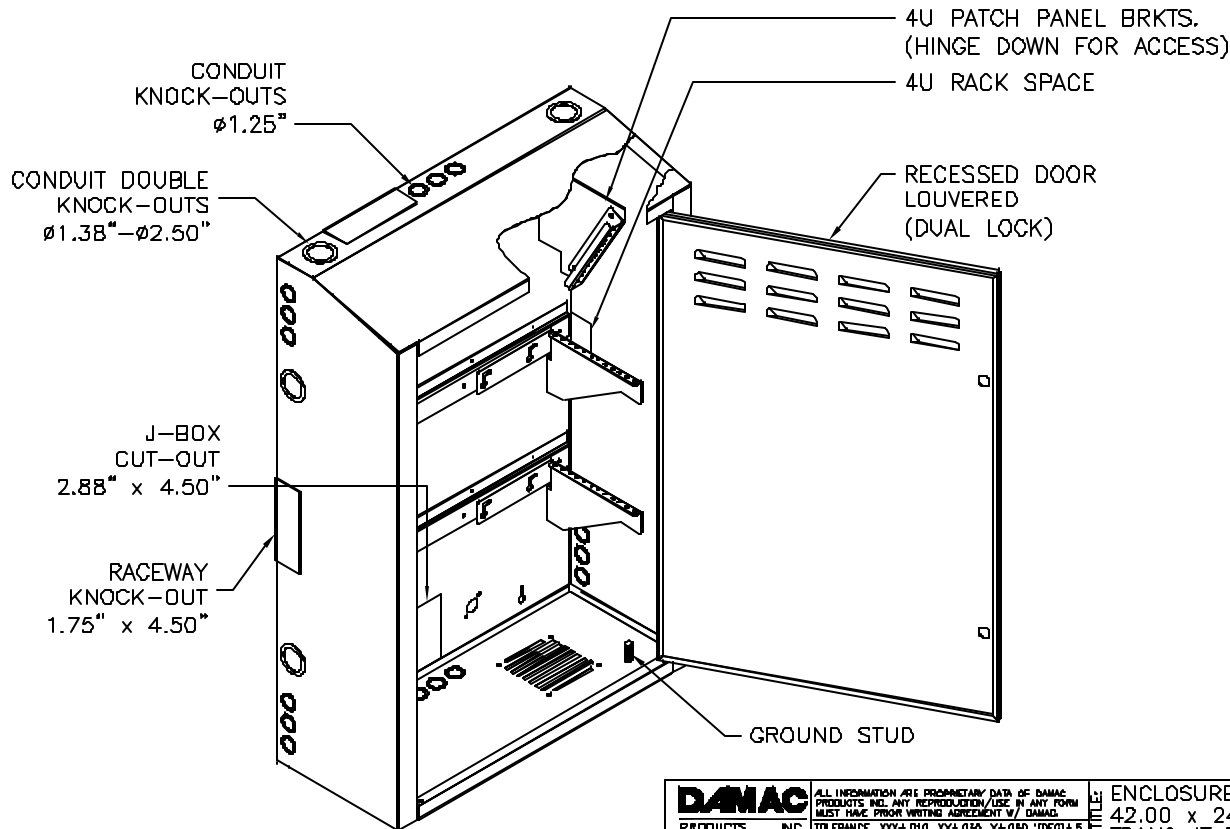
OUTSIDE DIMENSIONS 42" HIGH
24" WIDTH
10" DEPTH

DOOR LOUVERED (RECESSED)
28.13" HIGH
22" WIDTH
0.63" DEPTH

RAIL TYPE 2 SET OF:
12-24 TAPPED
19" RACKABLE
4U HORIZONTAL
(ADJUSTABLE)

1 SET OF:
12-24 TAPPED
19" RACKABLE
4U ANGLED
(HINGES DOWN)

CAPACITY 150 LBS.



DANAC PRODUCTS INC. LA MIAMI, DA 30303	ALL INFORMATION ARE PROPRIETARY DATA OF DANAC PRODUCTS INC. ANY REPRODUCTION/USE IN ANY FORM MUST HAVE PRIOR WRITING AGREEMENT W/ DANAC.		ENCLOSURE, BOX 42.00 x 24.00 x 10.00 TRANS-IT BOX	PART NO. WTB42M-X	CHECKED BY: RG	SCALE N/A	MATERIAL: N/A. FINISH: RAW (NON-FINISHED). MAX BEND R=.030. RELIEF=.000 A/R. UNLESS OTHERWISE SPECIFIED
	TOLERANCE .004-.010 .004-.006 .004-.010 .00014.5 ALL DIM. ARE IN INCHES UNLESS OTHERWISE SPECIFIED	DRAWN BY: CR	DATE: 05.18.2003	SHEET: 1 OF 1	REVISION: --		